

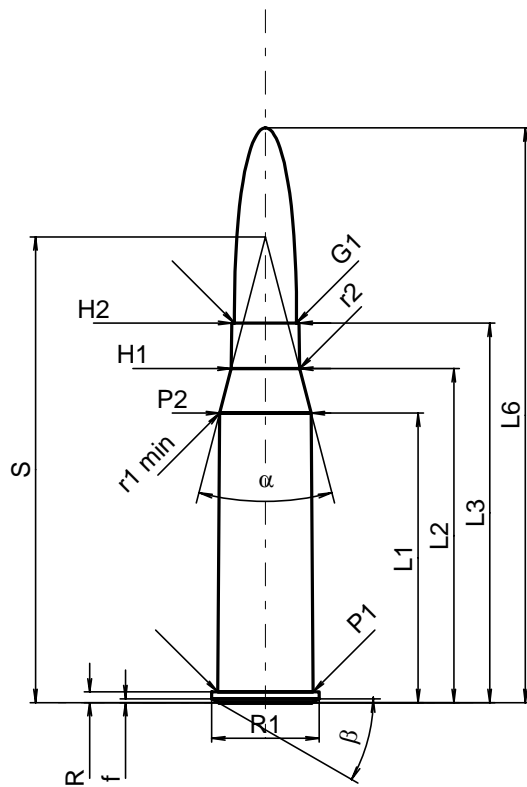
C.I.P.**8 x 50 R**

TAB. II

Datum 89-10-06

Revision 02-05-15

Ursprungsland: AT

**PATRONE MAXI****Längen**

L1*	=	38.29
L2*	=	44.17
L3 ¹⁾	=	50.20
L4	=	
L5	=	
L6	=	76.00

Hülsenboden

R ¹⁾	=	1.40	-0.25
R1	=	14.20	
R3	=		
E	=		
E1	=		
e min	=		
delta	=		
f	=	0.50	
beta	=	30°	

Pulverkammer

P1	=	12.60
P2*	=	12.09

Schulterkonus

alpha	=	29°04'45"
S	=	61.60
r1 min	=	10.00
r2	=	2.00

Hülsenhals

H1*	=	9.04
H2 ¹⁾	=	8.90

Geschoss

G1 ¹⁾	=	8.22
G2	=	
F	=	
L3+G ¹⁾	=	73.15

Drücke (Energien)**Mech. elektr. Wandler**

Pmax	=	3550 bar
PK	=	4083 bar
PE	=	4440 bar
M	=	25.00
EE	=	3000 Joule

Verschiedene Daten

Fe ¹⁾	=	0.15
delta L	=	

PATRONENLAGER MINI**Längen**

L1*	=	40.55
L2*	=	43.87
L3 ¹⁾	=	50.60

Stoßboden

R ¹⁾	=	1.50
R1	=	14.20
R2	=	
R3	=	
r	=	

Pulverkammer

E	=	
P1 ¹⁾	=	12.64
P2*	=	12.22

Schulterkonus

alpha	=	49°03'25"
S	=	53.94
r1 max	=	10.04
r2	=	2.00

Hülsenhals

H1*	=	9.19
H2 ¹⁾	=	9.04

Geschossübergang

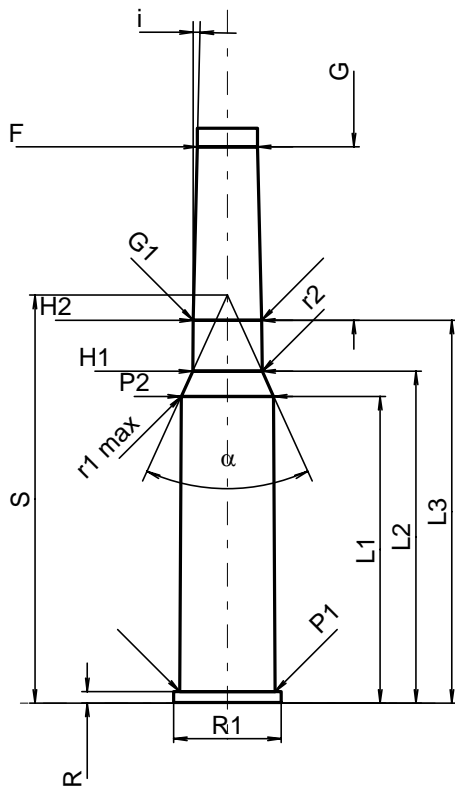
G1 ¹⁾ *	=	9.04
G ¹⁾ *	=	22.95
alpha1	=	180°
h	=	
s	=	
i ¹⁾	=	1°21'37"
w	=	

Lauf

F ¹⁾ *	=	7.95
Z ¹⁾	=	8.35

Züge

b	=	3.50
N	=	4
u	=	250.00
Q	=	52.53 mm ²



Maßstab 1:1

Maße in << mm >>
Maße und Toleranzen für Messläufe
siehe Anhang CR 1.

Bemerkungen: 1) Kontrolle aus Sicherheitsgründen
* Grundmaße