

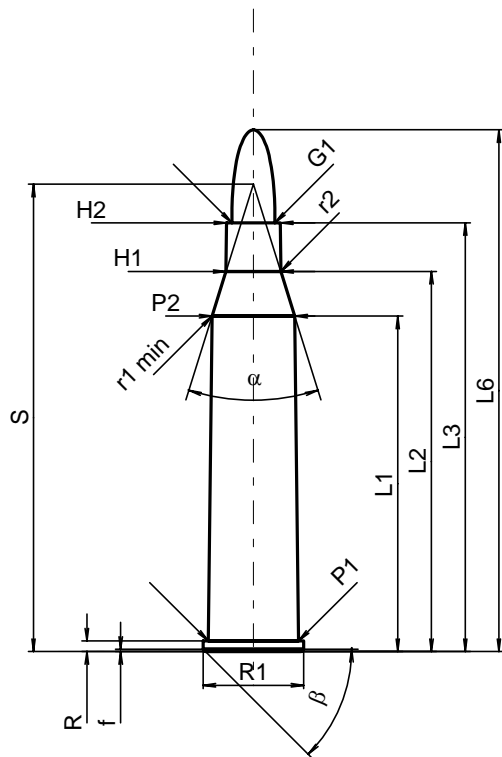
C.I.P.**5,6 x 57 R**

Ursprungsland: DE

TAB. II

Datum 84-06-14

Revision 02-05-15

**PATRONE MAXI****Längen**

L1*	=	44.37
L2*	=	50.28
L3 ¹⁾	=	56.70
L4	=	
L5	=	
L6	=	69.00

Hülsenboden

R ¹⁾	=	1.40	-0.25
R1	=	13.32	
R3	=		
E	=		
E1	=		
e min	=		
delta	=		
f	=	0.30	
beta	=	45°	

Pulverkammer

P1	=	11.94
P2*	=	10.94

Schulterkonus

alpha	=	34°49'06"
S	=	61.82
r1 min	=	0.50
r2	=	0.50

Hülsenhals

H1*	=	7.24
H2 ¹⁾	=	7.10

Geschoss

G1 ¹⁾	=	5.70
G2	=	
F	=	
L3+G ¹⁾	=	67.50

Drücke (Energien)**Mech. elektr. Wandler**

Pmax	=	4400 bar
PK	=	5060 bar
PE	=	5500 bar
M	=	25.00
EE	=	2720 Joule

Verschiedene Daten

Fe ¹⁾	=	0.10
delta L	=	

PATRONENLAGER MINI**Längen**

L1*	=	44.46
L2*	=	50.38
L3 ¹⁾	=	57.00

Stoßboden

R ¹⁾	=	1.40
R1	=	13.40
R2	=	
R3	=	
r	=	

Pulverkammer

E	=	
P1 ¹⁾	=	11.97
P2*	=	10.97

Schulterkonus

alpha	=	34°47'46"
S	=	61.96
r1 max	=	0.50
r2	=	0.50

Hülsenhals

H1*	=	7.26
H2 ¹⁾	=	7.12

Geschossübergang

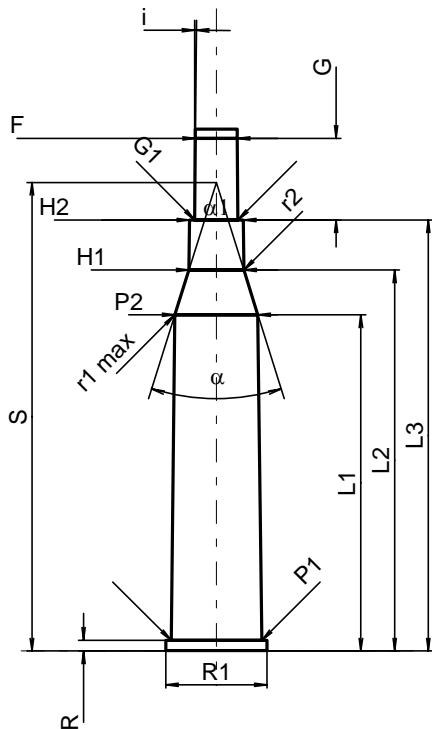
G1 ¹⁾ *	=	5.72
G ¹⁾ *	=	10.80
alpha1	=	180°
h	=	
s	=	
i ¹⁾	=	0°28'39"
w	=	

Lauf

F ¹⁾ *	=	5.54
Z ¹⁾	=	5.69

Züge

b	=	2.00
N	=	6
u	=	250.00
Q	=	25.03 mm ²



Maßstab 1:1

Maße in << mm >>
Maße und Toleranzen für Messläufe
siehe Anhang CR 1.

Bemerkungen: 1) Kontrolle aus Sicherheitsgründen
* Grundmaße