

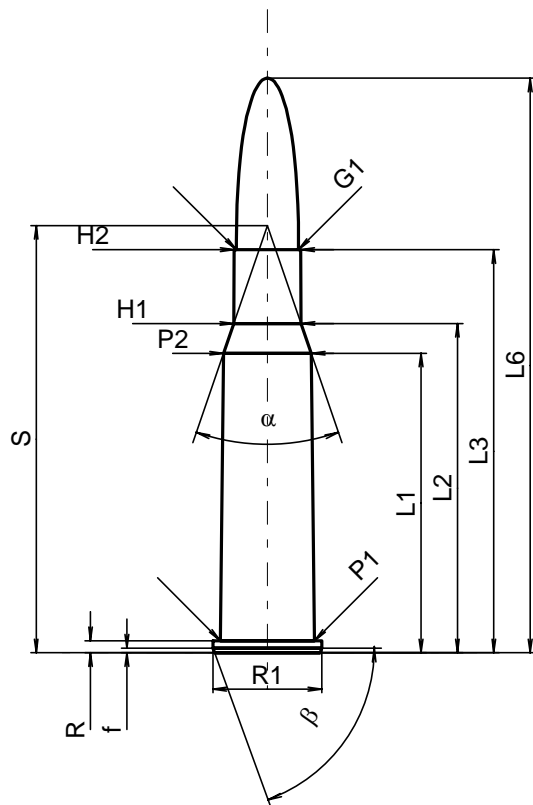
C.I.P.**8,2 x 53 R**

Ursprungsland: FI

TAB. II

Datum 95-03-09

Revision 02-05-15

**PATRONE MAXI****Längen**

L1*	=	39.61
L2*	=	43.55
L3 ¹⁾	=	53.30
L4	=	
L5	=	
L6	=	76.00

Hülsenboden

R ¹⁾	=	1.60	-0.25
R1	=	14.40	
R3	=		
E	=		
E1	=		
e min	=		
delta	=		
f	=	0.60	
beta	=	70°	

Pulverkammer

P1	=	12.42
P2*	=	11.61

Schulterkonus

alpha	=	37°57'25"
S	=	56.49
r1 min	=	
r2	=	

Hülsenhals

H1*	=	8.90
H2 ¹⁾	=	8.82

Geschoss

G1 ¹⁾	=	8.22
G2	=	
F	=	
L3+G ¹⁾	=	71.82

Drücke (Energien)**Mech. elektr. Wandler**

Pmax	=	3400 bar
PK	=	3910 bar
PE	=	4250 bar
M	=	25.00
EE	=	4040 Joule

Verschiedene Daten

Fe ¹⁾	=	0.15
delta L	=	

PATRONELAGER MINI**Längen**

L1*	=	39.70
L2*	=	43.64
L3 ¹⁾	=	53.80

Stoßboden

R ¹⁾	=	1.60
R1	=	14.43
R2	=	
R3	=	
r	=	

Pulverkammer

E	=	
P1 ¹⁾	=	12.45
P2*	=	11.67

Schulterkonus

alpha	=	37°57'25"
S	=	56.67
r1 max	=	
r2	=	

Hülsenhals

H1*	=	8.96
H2 ¹⁾	=	8.91

Geschossübergang

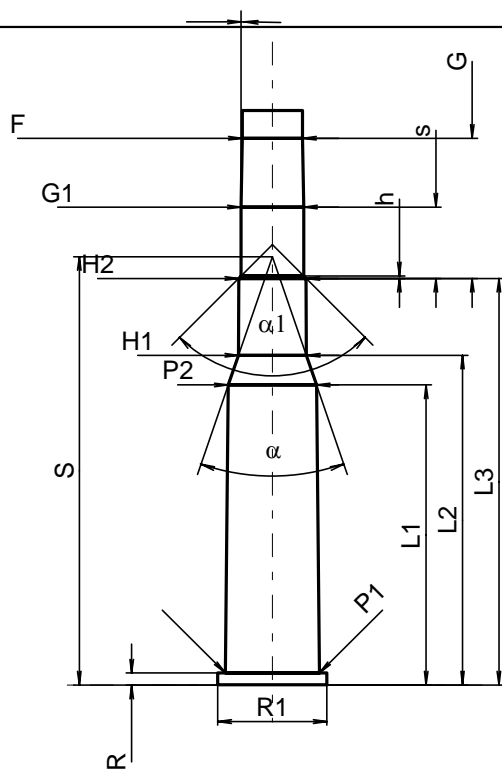
G1 ^{1)*}	=	8.27
G ^{1)*}	=	18.52
alpha1	=	90°
h	=	0.32
s*	=	9.42
i ¹⁾	=	0°58'33"
w	=	

Lauf

F ^{1)*}	=	7.96
Z ¹⁾	=	8.20

Züge

b	=	3.75
N	=	4
u	=	254.00
Q	=	51.64 mm ²



Maßstab 1:1

Maße in << mm >>
Maße und Toleranzen für Messläufe
siehe Anhang CR 1.

Bemerkungen: 1) Kontrolle aus Sicherheitsgründen
* Grundmaße