

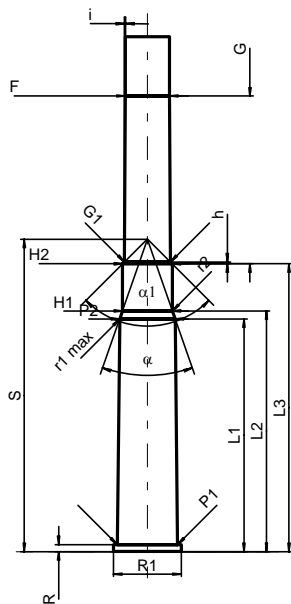
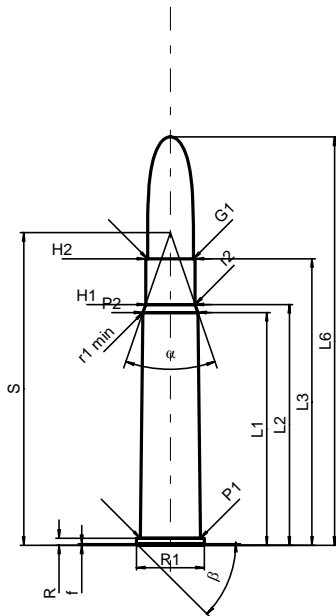
C.I.P.**9 x 57 R**

TAB. II

Datum 84-06-14

Revision 02-05-15

Ursprungsland: DE



Maßstab 1:1.5

Maße in << mm >>
Maße und Toleranzen für Messläufe
siehe Anhang CR 1.

PATRONE MAXI**Längen**

L1 *	=	46.14
L2 *	=	47.76
L3 ¹⁾	=	56.80
L4	=	
L5	=	
L6	=	81.00

Hülsenboden

R ¹⁾	=	1.40	-0.25
R1	=	13.40	
R3	=		
E	=		
E1	=		
e min	=		
delta	=		
f	=	0.30	
beta	=	45°	

Pulverkammer

P1	=	11.96
P2 *	=	10.95

Schulterkonus

alpha	=	38°08'18"
S	=	61.98
r1 min	=	0.50
r2	=	0.50

Hülsenhals

H1 *	=	9.83
H2 ¹⁾	=	9.83

Geschoss

G1 ¹⁾	=	9.08
G2	=	
F	=	
L3+G ¹⁾	=	90.10

Drücke (Energien)**Mech. elektr. Wandler**

Pmax	=	2800 bar
PK	=	3220 bar
PE	=	3500 bar
M	=	25.00
EE	=	3260 Joule

Verschiedene Daten

Fe ¹⁾	=	0.15
delta L	=	

PATRONELAGER MINI**Längen**

L1 *	=	46.16
L2 *	=	47.74
L3 ¹⁾	=	57.10

Stoßboden

R ¹⁾	=	1.40
R1	=	13.43
R2	=	
R3	=	
r	=	

Pulverkammer

E	=	
P1 ¹⁾	=	12.00
P2 *	=	10.98

Schulterkonus

alpha	=	38°23'10"
S	=	61.93
r1 max	=	0.50
r2	=	0.50

Hülsenhals

H1 *	=	9.88
H2 ¹⁾	=	9.87

Geschossübergang

G1 ¹⁾ *	=	9.15
G ¹⁾ *	=	33.30
alpha1	=	90°
h *	=	0.36
s	=	
i ¹⁾	=	0°19'18"
w	=	

Lauf

F ¹⁾ *	=	8.78
Z ¹⁾	=	9.06

Züge

b	=	3.20
N	=	6
u	=	360.00
Q	=	63.29 mm ²

Bemerkungen: 1) Kontrolle aus Sicherheitsgründen
* Grundmaße