

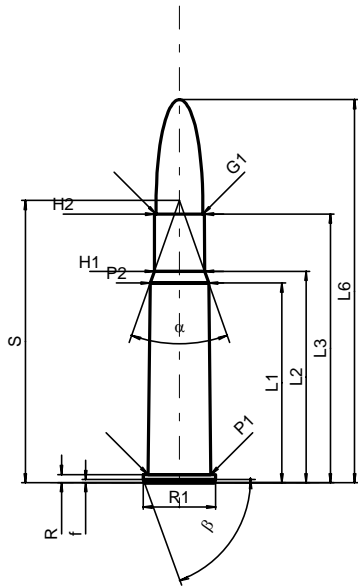
C.I.P.**9,3 x 53 R Finnish**

TAB. II

Datum 95-03-09

Revision 02-05-15

Ursprungsland: FI

**PATRONE MAXI****Längen**

L1 *	=	39.61
L2 *	=	41.94
L3 ¹⁾	=	53.30
L4	=	
L5	=	
L6	=	76.00

Hülsenboden

R ¹⁾	=	1.60	-0.25
R1	=	14.40	
R3	=		
E	=		
E1	=		
e min	=		
delta	=		
f	=	0.60	
beta	=	70°	

Pulverkammer

P1	=	12.42
P2 *	=	11.61

Schulterkonus

alpha	=	38°59'45"
S	=	56.00
r1 min	=	
r2	=	

Hülsenhals

H1 *	=	9.96
H2 ¹⁾	=	9.90

Geschoss

G1 ¹⁾	=	9.30
G2	=	
F	=	
L3+G ¹⁾	=	76.08

Drücke (Energien)**Mech. elektr. Wandler**

Pmax	=	3400 bar
PK	=	3910 bar
PE	=	4250 bar
M	=	25.00
EE	=	4300 Joule

Verschiedene Daten

Fe ¹⁾	=	0.15
delta L	=	

PATRONENLAGER MINI**Längen**

L1 *	=	39.70
L2 *	=	42.14
L3 ¹⁾	=	53.80

Stoßboden

R ¹⁾	=	1.60
R1	=	14.43
R2	=	
R3	=	
r	=	

Pulverkammer

E	=	
P1 ¹⁾	=	12.45
P2 *	=	11.67

Schulterkonus

alpha	=	37°21'44"
S	=	56.96
r1 max	=	
r2	=	

Hülsenhals

H1 *	=	10.02
H2 ¹⁾	=	9.96

Geschossübergang

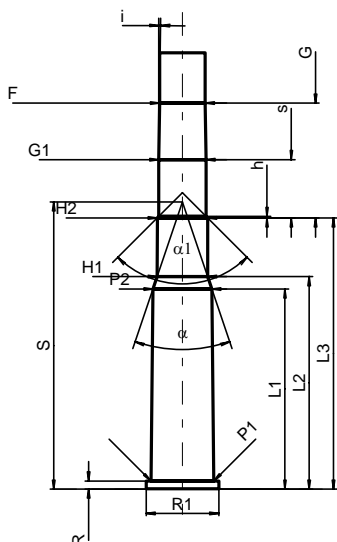
G1 ¹⁾ *	=	9.36
G ¹⁾ *	=	22.78
alpha1	=	90°
h	=	0.30
s *	=	11.55
i ¹⁾	=	0°47'25"
w	=	

Lauf

F ¹⁾ *	=	9.05
Z ¹⁾	=	9.28

Züge

b	=	3.10
N	=	6
u	=	380.00
Q	=	66.51 mm ²



Maßstab 1:1.5

Maße in << mm >>
Maße und Toleranzen für Messläufe
siehe Anhang CR 1.

Bemerkungen: 1) Kontrolle aus Sicherheitsgründen
* Grundmaße