

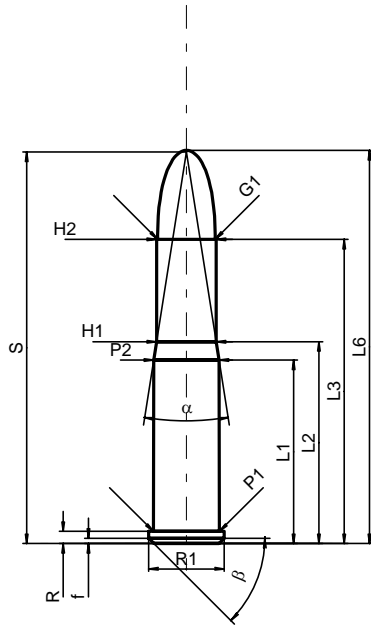
C.I.P.**11,15 x 60 R**

TAB. II

Datum 84-06-14

Revision 02-05-15

Ursprungsland: DE

**PATRONE MAXI****Längen**

| | | |
|------------------|---|-------|
| L1* | = | 36.40 |
| L2* | = | 40.05 |
| L3 ¹⁾ | = | 60.35 |
| L4 | = | |
| L5 | = | |
| L6 | = | 78.00 |

Hülsenboden

| | | | |
|-----------------|---|-------|-------|
| R ¹⁾ | = | 2.40 | -0.25 |
| R1 | = | 15.00 | |
| R3 | = | | |
| E | = | | |
| E1 | = | | |
| e min | = | | |
| delta | = | | |
| f | = | 1.05 | |
| beta | = | 45° | |

Pulverkammer

| | | |
|-----|---|-------|
| P1 | = | 13.10 |
| P2* | = | 13.00 |

Schulterkonus

| | | |
|--------|---|-----------|
| alpha | = | 17°54'18" |
| S | = | 77.66 |
| r1 min | = | |
| r2 | = | |

Hülsenhals

| | | |
|------------------|---|-------|
| H1* | = | 11.85 |
| H2 ¹⁾ | = | 11.85 |

Geschoss

| | | |
|--------------------|---|-------|
| G1 ¹⁾ | = | 11.40 |
| G2 | = | |
| F | = | |
| L3+G ¹⁾ | = | 87.85 |

Drücke (Energien)**Mech. elektr. Wandler**

| | | |
|------|---|------------|
| Pmax | = | 2800 bar |
| PK | = | 3220 bar |
| PE | = | 3500 bar |
| M | = | 25.00 |
| EE | = | 2730 Joule |

Verschiedene Daten

| | | |
|------------------|---|------|
| Fe ¹⁾ | = | 0.15 |
| delta L | = | |

PATRONENLAGER MINI**Längen**

| | | |
|------------------|---|-------|
| L1* | = | 36.40 |
| L2* | = | 40.00 |
| L3 ¹⁾ | = | 60.80 |

Stoßboden

| | | |
|-----------------|---|-------|
| R ¹⁾ | = | 2.40 |
| R1 | = | 15.05 |
| R2 | = | |
| R3 | = | |
| r | = | |

Pulverkammer

| | | |
|------------------|---|-------|
| E | = | |
| P1 ¹⁾ | = | 13.13 |
| P2* | = | 13.03 |

Schulterkonus

| | | |
|--------|---|-----------|
| alpha | = | 17°50'20" |
| S | = | 77.91 |
| r1 max | = | |
| r2 | = | |

Hülsenhals

| | | |
|------------------|---|-------|
| H1* | = | 11.90 |
| H2 ¹⁾ | = | 11.88 |

Geschossübergang

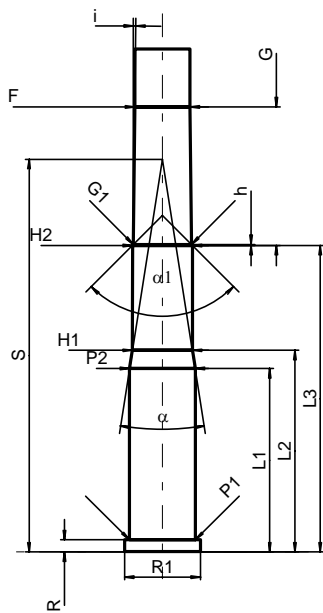
| | | |
|-------------------|---|----------|
| G1 ^{1)*} | = | 11.50 |
| G ^{1)*} | = | 27.50 |
| alpha1 | = | 90° |
| h* | = | 0.19 |
| s | = | |
| i ¹⁾ | = | 0°34'37" |
| w | = | |

Lauf

| | | |
|------------------|---|-------|
| F ^{1)*} | = | 10.95 |
| Z ¹⁾ | = | 11.50 |

Züge

| | | |
|---|---|------------------------|
| b | = | 5.60 |
| N | = | 4 |
| u | = | 550.00 |
| Q | = | 100.62 mm ² |



Maßstab 1:1.5

Maße in << mm >>
Maße und Toleranzen für Messläufe
siehe Anhang CR 1.

Bemerkungen: 1) Kontrolle aus Sicherheitsgründen
* Grundmaße