

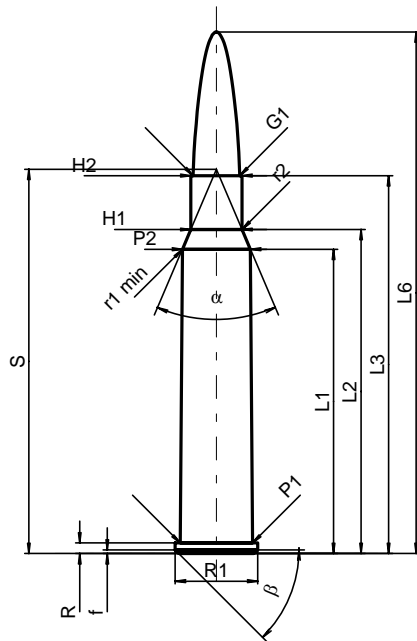
C.I.P.**6 x 50 R Scheiring**

TAB. II

Datum 87-09-29

Revision 02-05-15

Ursprungsland: AT

**PATRONE MAXI****Längen**

L1*	=	40.26
L2*	=	42.87
L3 ¹⁾	=	50.00
L4	=	
L5	=	
L6	=	69.00

Hülsenboden

R ¹⁾	=	1.40	-0.15
R1	=	10.90	
R3	=		
E	=		
E1	=		
e min	=		
delta	=		
f	=	0.50	
beta	=	45°	

Pulverkammer

P1	=	9.59
P2*	=	9.00

Schulterkonus

alpha	=	46°04'44"
S	=	50.84
r1 min	=	0.50
r2	=	0.50

Hülsenhals

H1*	=	6.78
H2 ¹⁾	=	6.75

Geschoss

G1 ¹⁾	=	6.17
G2	=	
F	=	
L3+G ¹⁾	=	56.00

Drücke (Energien)**Mech. elektr. Wandler**

Pmax	=	4400 bar
PK	=	5060 bar
PE	=	5500 bar
M	=	25.00
EE	=	2100 Joule

Verschiedene Daten

Fe ¹⁾	=	0.10
delta L	=	

PATRONENLAGER MINI**Längen**

L1*	=	40.26
L2*	=	42.85
L3 ¹⁾	=	50.30

Stoßboden

R ¹⁾	=	1.40
R1	=	10.93
R2	=	
R3	=	
r	=	

Pulverkammer

E	=	
P1 ¹⁾	=	9.62
P2*	=	9.03

Schulterkonus

alpha	=	46°01'22"
S	=	50.89
r1 max	=	0.50
r2	=	0.50

Hülsenhals

H1*	=	6.83
H2 ¹⁾	=	6.80

Geschossübergang

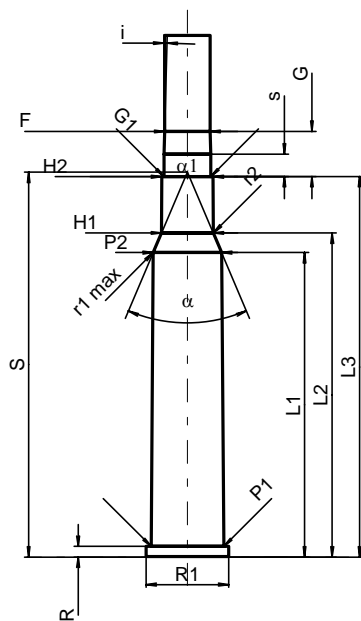
G1 ^{1)*}	=	6.19
G ^{1)*}	=	6.00
alpha1	=	180°
h	=	
s*	=	3.00
i ¹⁾	=	1°37'22"
w	=	

Lauf

F ^{1)*}	=	6.02
Z ¹⁾	=	6.17

Züge

b	=	1.73
N	=	6
u	=	254.00
Q	=	29.25 mm ²



Maßstab 1:1

Maße in << mm >>
Maße und Toleranzen für Messläufe
siehe Anhang CR 1.

Bemerkungen: 1) Kontrolle aus Sicherheitsgründen
* Grundmaße