

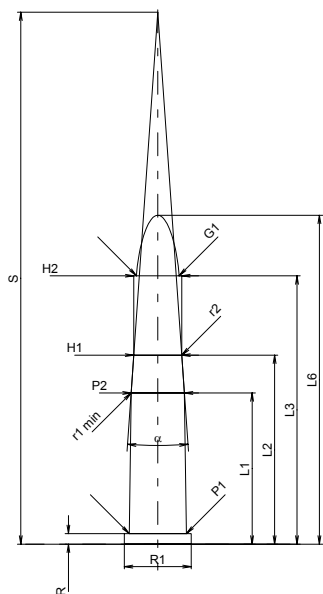
C.I.P.**5,6 x 35 R**

TAB. II

Date 84-06-14

Country of Origin: DE

Revision 02-05-15

**CARTRIDGE MAXI****Lengths**

| | | |
|------------------|---|-------|
| L1 [*] | = | 20.00 |
| L2 [*] | = | 25.00 |
| L3 ¹⁾ | = | 35.50 |
| L4 | = | |
| L5 | = | |
| L6 | = | 43.50 |

Case Head

| | | | |
|-----------------|---|------|-------|
| R ¹⁾ | = | 1.40 | -0.20 |
| R1 | = | 8.85 | |
| R3 | = | | |
| E | = | | |
| E1 | = | | |
| e min | = | | |
| delta | = | | |
| f | = | | |
| beta | = | | |

Powder Chamber

| | | |
|-----------------|---|------|
| P1 | = | 7.55 |
| P2 [*] | = | 7.05 |

Junction Cone

| | | |
|--------|---|----------|
| alpha | = | 8°00'29" |
| S | = | 70.36 |
| r1 min | = | 0.50 |
| r2 | = | 0.50 |

Collar

| | | |
|------------------|---|------|
| H1 [*] | = | 6.35 |
| H2 ¹⁾ | = | 6.33 |

Projectile

| | | |
|--------------------|---|-------|
| G1 ¹⁾ | = | 5.63 |
| G2 | = | |
| F | = | |
| L3+G ¹⁾ | = | 55.30 |

Pressures (Energies)**Method Transducer**

| | | |
|------|---|-----------|
| Pmax | = | 2700 bar |
| PK | = | 3105 bar |
| PE | = | 3510 bar |
| M | = | 17.50 |
| EE | = | 855 Joule |

Miscellaneous Dimensions

| | | |
|------------------|---|------|
| Fe ¹⁾ | = | 0.15 |
| delta L | = | |

CHAMBER MINI**Lengths**

| | | |
|------------------|---|-------|
| L1 [*] | = | 20.00 |
| L2 [*] | = | 25.00 |
| L3 ¹⁾ | = | 35.80 |

Breech

| | | |
|-----------------|---|------|
| R ¹⁾ | = | 1.40 |
| R1 | = | 8.90 |
| R2 | = | |
| R3 | = | |
| r | = | |

Powder Chamber

| | | |
|------------------|---|------|
| E | = | |
| P1 ¹⁾ | = | 7.58 |
| P2 [*] | = | 7.08 |

Junction Cone

| | | |
|--------|---|----------|
| alpha | = | 8°00'28" |
| S | = | 70.57 |
| r1 max | = | 0.50 |
| r2 | = | 0.50 |

Collar

| | | |
|------------------|---|------|
| H1 [*] | = | 6.38 |
| H2 ¹⁾ | = | 6.35 |

Commencement of Rifling

| | | |
|--------------------|---|----------|
| G1 ¹⁾ * | = | 5.68 |
| G ¹⁾ * | = | 19.80 |
| alpha1 | = | 180° |
| h | = | |
| s | = | |
| i ¹⁾ | = | 0°28'39" |
| w | = | |

Barrel

| | | |
|-------------------|---|------|
| F ¹⁾ * | = | 5.35 |
| Z ¹⁾ | = | 5.58 |

Grooves

| | | |
|---|---|-----------------------|
| b | = | 2.40 |
| N | = | 4 |
| u | = | 360.00 |
| Q | = | 23.62 mm ² |

Scale 1:1

Dimensions in << mm >>
Dimensions and Tolerances for Proof Barrels
see Appendix CR 1.

Notes: 1) Check for safety reasons
* Basic dimensions