

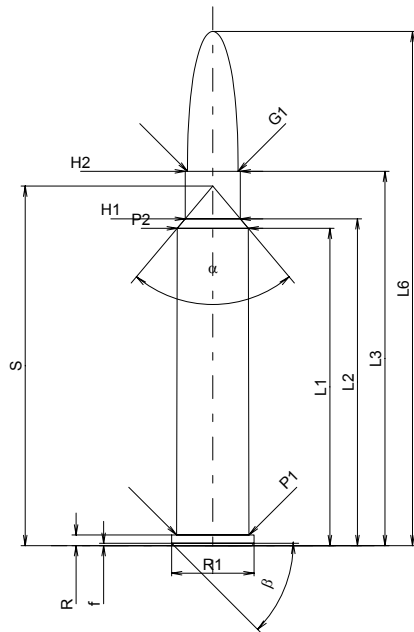
C.I.P.**6,5 x 50 R**

TAB. II

Date 92-02-27

Revision 02-05-15

Country of Origin: DE

**CARTRIDGE MAXI****Lengths**

| | | |
|------------------|---|-------|
| L1 [*] | = | 41.97 |
| L2 [*] | = | 43.23 |
| L3 ¹⁾ | = | 49.50 |
| L4 | = | |
| L5 | = | |
| L6 | = | 68.00 |

Case Head

| | | | |
|-----------------|---|-------|-------|
| R ¹⁾ | = | 1.40 | -0.25 |
| R1 | = | 10.90 | |
| R3 | = | | |
| E | = | | |
| E1 | = | | |
| e min | = | | |
| delta | = | | |
| f | = | 0.30 | |
| beta | = | 45° | |

Powder Chamber

| | | |
|-----------------|---|------|
| P1 | = | 9.59 |
| P2 [*] | = | 9.40 |

Junction Cone

| | | |
|--------|---|-----------|
| alpha | = | 80°08'44" |
| S | = | 47.56 |
| r1 min | = | |
| r2 | = | |

Collar

| | | |
|------------------|---|------|
| H1 [*] | = | 7.28 |
| H2 ¹⁾ | = | 7.27 |

Projectile

| | | |
|--------------------|---|-------|
| G1 ¹⁾ | = | 6.70 |
| G2 | = | |
| F | = | |
| L3+G ¹⁾ | = | 55.50 |

Pressures (Energies)**Method Transducer**

| | | |
|------|---|------------|
| Pmax | = | 3650 bar |
| PK | = | 4198 bar |
| PE | = | 4563 bar |
| M | = | 25.00 |
| EE | = | 2500 Joule |

Miscellaneous Dimensions

| | | |
|------------------|---|------|
| Fe ¹⁾ | = | 0.15 |
| delta L | = | |

CHAMBER MINI**Lengths**

| | | |
|------------------|---|-------|
| L1 [*] | = | 41.98 |
| L2 [*] | = | 43.24 |
| L3 ¹⁾ | = | 49.80 |

Breech

| | | |
|-----------------|---|-------|
| R ¹⁾ | = | 1.40 |
| R1 | = | 10.93 |
| R2 | = | |
| R3 | = | |
| r | = | |

Powder Chamber

| | | |
|------------------|---|------|
| E | = | 1.40 |
| P1 ¹⁾ | = | 9.62 |
| P2 [*] | = | 9.43 |

Junction Cone

| | | |
|--------|---|-----------|
| alpha | = | 80°08'45" |
| S | = | 47.58 |
| r1 max | = | |
| r2 | = | |

Collar

| | | |
|------------------|---|------|
| H1 [*] | = | 7.31 |
| H2 ¹⁾ | = | 7.30 |

Commencement of Rifling

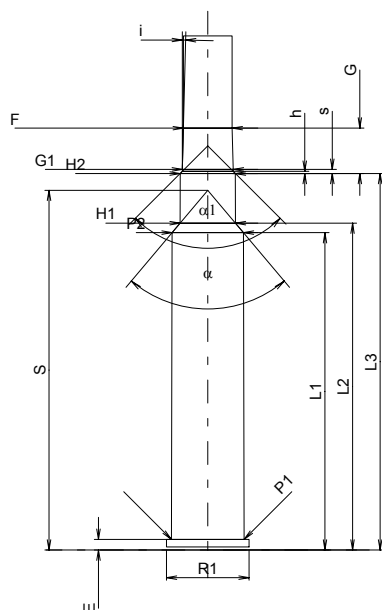
| | | |
|--------------------|---|----------|
| G1 ¹⁾ * | = | 6.72 |
| G ¹⁾ * | = | 6.00 |
| alpha1 | = | 90° |
| h | = | 0.29 |
| s [*] | = | 0.55 |
| i ¹⁾ | = | 1°25'08" |
| w | = | |

Barrel

| | | |
|-------------------|---|------|
| F ¹⁾ * | = | 6.45 |
| Z ¹⁾ | = | 6.70 |

Grooves

| | | |
|---|---|-----------------------|
| b | = | 3.60 |
| N | = | 4 |
| u | = | 228.00 |
| Q | = | 34.58 mm ² |



Scale 1:1

Dimensions in << mm >>
Dimensions and Tolerances for Proof Barrels
see Appendix CR 1.

Notes: 1) Check for safety reasons
* Basic dimensions