

C.I.P.

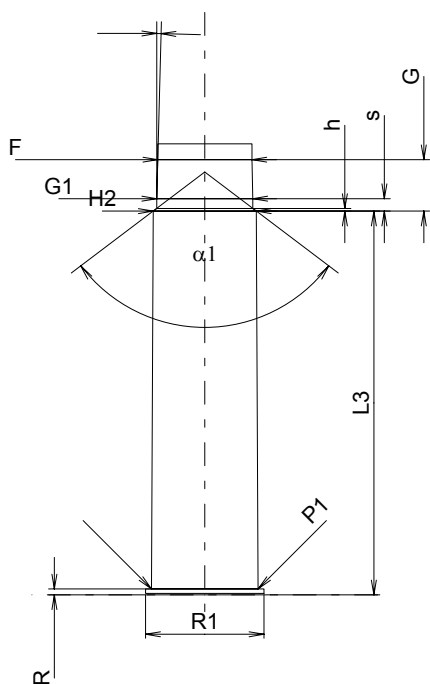
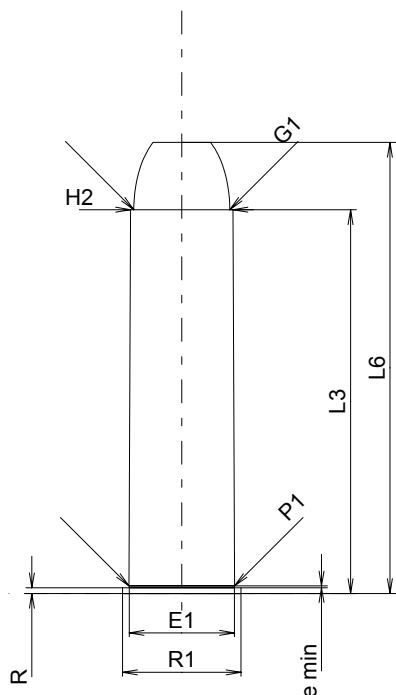
4 Bore Rifle

Country of Origin: US

TAB. II

Date 93-09-27

Revision 02-05-15



Scale 1:2

Dimensions in << mm >>
Dimensions and Tolerances for Proof Barrels
see Appendix CR 1.

CARTRIDGE MAXI

Lengths

L1	=	
L2	=	
L3 ¹⁾	=	101.50
L4	=	
L5	=	
L6	=	119.30

Case Head

R ¹⁾	=	1.50	-0.25
R1	=	31.30	
R3	=		
E	=		
E1	=	27.80	
e min	=	0.50	
δ	=		
f	=		
β	=		

Powder Chamber

P1	=	28.00
P2	=	

Junction Cone

α	=	
S	=	
r1 min	=	
r2	=	

Collar

H1	=	
H2 ¹⁾	=	27.15

Projectile

G1 ¹⁾	=	25.40
G2	=	18.00
F	=	
L3+G ¹⁾	=	115.10

Pressures (Energies)

Method Transducer

Pmax	=	2500 bar
PK	=	2875 bar
PE	=	3125 bar
M	=	25.00
EE	=	10500 Joule

Miscellaneous Dimensions

Fe ¹⁾	=	0.15
delta L	=	

CHAMBER MINI

Lengths

L1	=	
L2	=	
L3 ¹⁾	=	101.50

Breech

R ¹⁾	=	1.55
R1	=	31.30
R2	=	
R3	=	
r	=	

Powder Chamber

E	=	
P1 ¹⁾	=	28.20
P2	=	

Junction Cone

α	=	
S	=	
r1 max	=	
r2	=	

Collar

H1	=	
H2 ¹⁾	=	27.30

Commencement of Rifling

G1 ^{1)*}	=	25.45
G ¹⁾	=	13.60
$\alpha 1^*$	=	105°46'12"
h	=	0.70
s	=	3.30
i ^{1)*}	=	1°30'
w	=	

Barrel

F ^{1)*}	=	24.91
Z ¹⁾	=	25.40

Grooves

b	=	6.50
N	=	8
u	=	
Q	=	500.23 mm ²

Notes: 1) Check for safety reasons
* Basic dimensions