

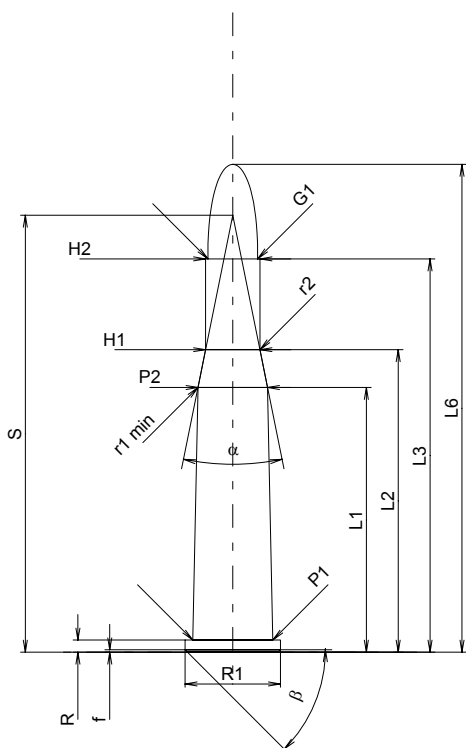
C.I.P.**6,5 x 52 R**

TAB. II

Date 84-06-14

Revision 02-05-15

Country of Origin: DE

**CARTRIDGE MAXI****Lengths**

L1 [*]	=	35.00
L2 [*]	=	40.00
L3 ¹⁾	=	52.00
L4	=	
L5	=	
L6	=	64.50

Case Head

R ¹⁾	=	1.60	-0.25
R1	=	12.60	
R3	=		
E	=		
E1	=		
e min	=		
delta	=		
f	=	0.30	
beta	=	45°	

Powder Chamber

P1	=	10.60
P2 [*]	=	9.20

Junction Cone

alpha	=	22°50'24"
S	=	57.77
r1 min	=	0.50
r2	=	0.50

Collar

H1 [*]	=	7.18
H2 ¹⁾	=	7.18

Projectile

G1 ¹⁾	=	6.58
G2	=	
F	=	
L3+G ¹⁾	=	68.00

Pressures (Energies)**Method Transducer**

Pmax	=	2450 bar
PK	=	2818 bar
PE	=	3060 bar
M	=	25.00
EE	=	1810 Joule

Miscellaneous Dimensions

Fe ¹⁾	=	0.15
delta L	=	

CHAMBER MINI**Lengths**

L1 [*]	=	35.00
L2 [*]	=	40.00
L3 ¹⁾	=	52.30

Breech

R ¹⁾	=	1.60
R1	=	12.65
R2	=	
R3	=	
r	=	

Powder Chamber

E	=	
P1 ¹⁾	=	10.63
P2 [*]	=	9.23

Junction Cone

alpha	=	22°50'24"
S	=	57.85
r1 max	=	0.50
r2	=	0.50

Collar

H1 [*]	=	7.21
H2 ¹⁾	=	7.20

Commencement of Rifling

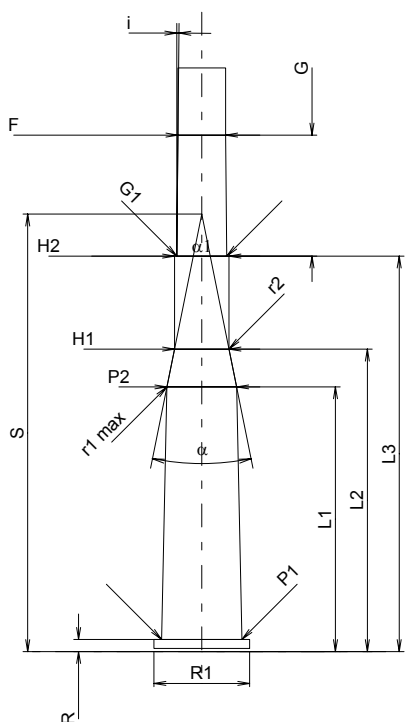
G1 ¹⁾ *	=	6.62
G ¹⁾ *	=	16.00
alpha1	=	180°
h	=	
s	=	
i ¹⁾	=	0°34'22"
w	=	

Barrel

F ¹⁾ *	=	6.30
Z ¹⁾	=	6.55

Grooves

b	=	3.50
N	=	4
u	=	260.00
Q	=	33.02 mm ²



Scale 1:1

Dimensions in << mm >>
Dimensions and Tolerances for Proof Barrels
see Appendix CR 1.

Notes: 1) Check for safety reasons
* Basic dimensions