

C.I.P.

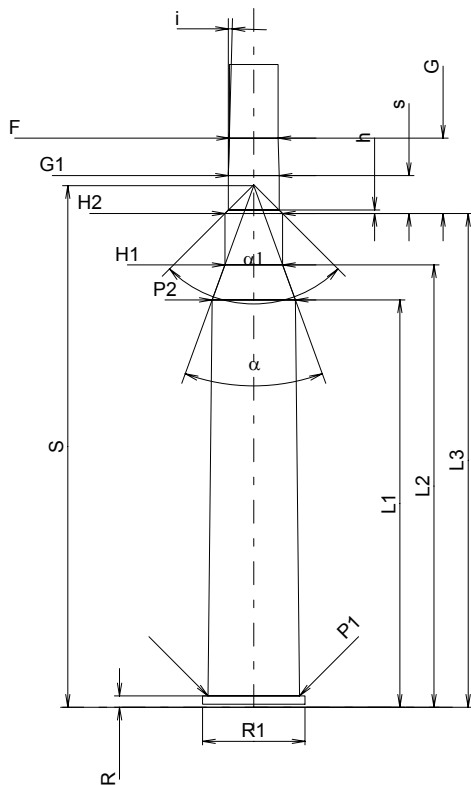
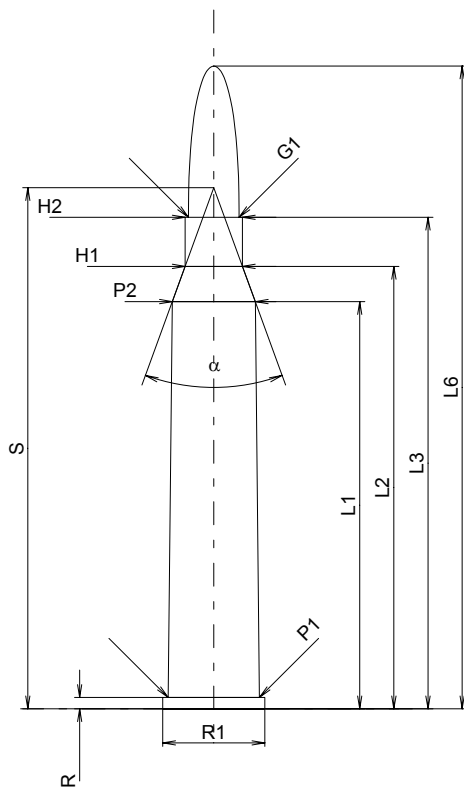
6,5 x 65 R RWS

Country of Origin: DE

TAB. II

Date 90-04-05

Revision 02-05-15



Scale 1:1

Dimensions in << mm >>
Dimensions and Tolerances for Proof Barrels
see Appendix CR 1.

CARTRIDGE MAXI

Lengths

L1 [*]	=	53.85
L2 [*]	=	58.52
L3 ¹⁾	=	65.00
L4	=	
L5	=	
L6	=	85.00

Case Head

R ¹⁾	=	1.50	-0.25
R1	=	13.50	
R3	=		
E	=		
E1	=		
e min	=		
δ	=		
f	=		
β	=		

Powder Chamber

P1	=	12.08
P2 [*]	=	10.97

Junction Cone

α	=	40°
S	=	68.92
r1 min	=	
r2	=	

Collar

H1 [*]	=	7.57
H2 ¹⁾	=	7.57

Projectile

G1 ¹⁾	=	6.70
G2	=	
F	=	
L3+G ¹⁾	=	74.96

Pressures (Energies)

Method Transducer

Pmax	=	3800 bar
PK	=	4170 bar
PE	=	4750 bar
M	=	25.00
EE	=	3675 Joule

Miscellaneous Dimensions

Fe ¹⁾	=	0.15
delta L	=	

CHAMBER MINI

Lengths

L1 [*]	=	53.86
L2 [*]	=	58.49
L3 ¹⁾	=	65.30

Breech

R ¹⁾	=	1.50
R1	=	13.55
R2	=	
R3	=	
r	=	

Powder Chamber

E	=	
P1 ¹⁾	=	12.11
P2 [*]	=	11.00

Junction Cone

α	=	40°
S	=	68.97
r1 max	=	
r2	=	

Collar

H1 [*]	=	7.63
H2 ¹⁾	=	7.60

Commencement of Rifling

G1 ¹⁾ *	=	6.71
G ¹⁾ *	=	9.96
α_1	=	90°
h	=	0.45
s [*]	=	5.00
i ¹⁾	=	1°30'
w	=	

Barrel

F ¹⁾ *	=	6.45
Z ¹⁾	=	6.70

Grooves

b	=	3.50
N	=	4
u	=	200.00
Q	=	34.52 mm ²

Notes: 1) Check for safety reasons
* Basic dimensions