

C.I.P.**7 x 50 R**

TAB.

II

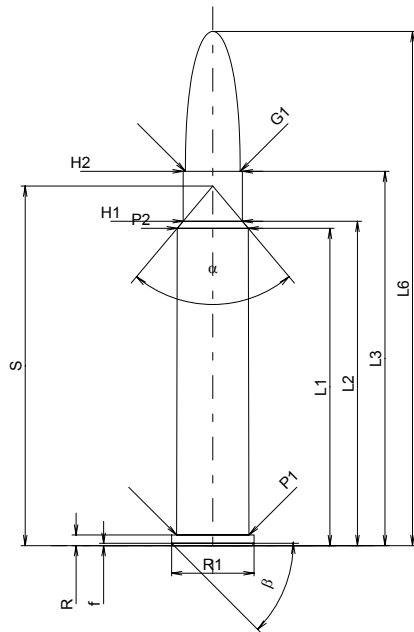
Date

92-02-27

Revision

02-05-15

Country of Origin: DE

**CARTRIDGE MAXI****Lengths**

L1 *	=	41.97
L2 *	=	42.90
L3 ¹⁾	=	49.50
L4	=	
L5	=	
L6	=	68.00

Case Head

R ¹⁾	=	1.40	-0.25
R1	=	10.90	
R3	=		
E	=		
E1	=		
e min	=		
delta	=		
f	=	0.30	
beta	=	45°	

Powder Chamber

P1	=	9.59
P2 *	=	9.40

Junction Cone

alpha	=	80°20'05"
S	=	47.54
r1 min	=	
r2	=	

Collar

H1 *	=	7.83
H2 ¹⁾	=	7.82

Projectile

G1 ¹⁾	=	7.25
G2	=	
F	=	
L3+G ¹⁾	=	56.00

Pressures (Energies)**Method Transducer**

Pmax	=	3650 bar
PK	=	4198 bar
PE	=	4560 bar
M	=	25.00
EE	=	2940 Joule

Miscellaneous Dimensions

Fe ¹⁾	=	0.15
delta L	=	

CHAMBER MINI**Lengths**

L1 *	=	41.98
L2 *	=	42.92
L3 ¹⁾	=	49.80

Breech

R ¹⁾	=	1.40
R1	=	10.93
R2	=	
R3	=	
r	=	

Powder Chamber

E	=	
P1 ¹⁾	=	9.62
P2 *	=	9.43

Junction Cone

alpha	=	79°43'51"
S	=	47.63
r1 max	=	
r2	=	

Collar

H1 *	=	7.86
H2 ¹⁾	=	7.85

Commencement of Rifling

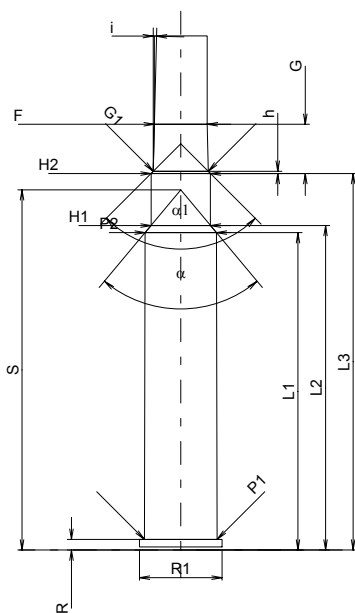
G1 ¹⁾ *	=	7.27
G ¹⁾ *	=	6.50
alpha1	=	90°
h *	=	0.29
s	=	
i ¹⁾	=	1°20'15"
w	=	

Barrel

F ¹⁾ *	=	6.98
Z ¹⁾	=	7.24

Grooves

b	=	4.10
N	=	4
u	=	228.00
Q	=	40.54 mm ²



Scale 1:1

Dimensions in << mm >>
Dimensions and Tolerances for Proof Barrels
see Appendix CR 1.

Notes: 1) Check for safety reasons
* Basic dimensions