

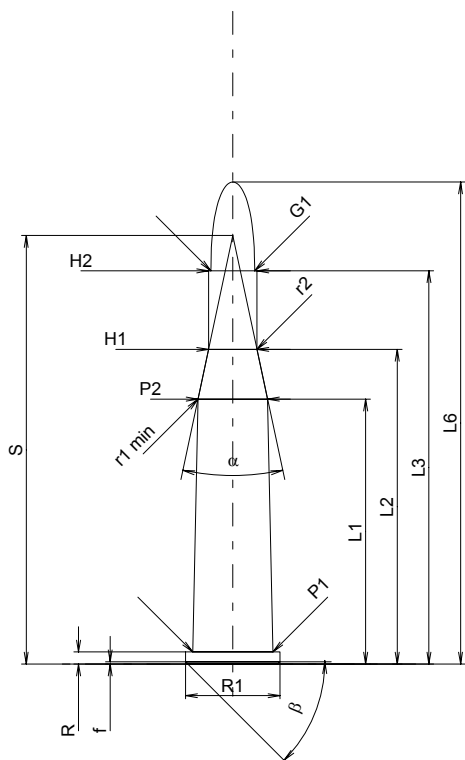
**C.I.P.****5,6 x 52 R**

TAB. II

Date 84-06-14

Revision 02-05-15

Country of Origin: DE

**CARTRIDGE MAXI****Lengths**

L1 <sup>*</sup>	=	35.03
L2 <sup>*</sup>	=	41.62
L3 <sup>1)</sup>	=	52.00
L4	=	
L5	=	
L6	=	63.75

**Case Head**

R <sup>1)</sup>	=	1.60	-0.25
R1	=	12.50	
R3	=		
E	=		
E1	=		
e min	=		
delta	=		
f	=	0.30	
beta	=	45°	

**Powder Chamber**

P1	=	10.62
P2 <sup>*</sup>	=	9.20

**Junction Cone**

alpha	=	23°59'16"
S	=	56.68
r1 min	=	0.50
r2	=	0.50

**Collar**

H1 <sup>*</sup>	=	6.40
H2 <sup>1)</sup>	=	6.40

**Projectile**

G1 <sup>1)</sup>	=	5.79
G2	=	
F	=	
L3+G <sup>1)</sup>	=	70.00

**Pressures (Energies)****Method Transducer**

Pmax	=	3300 bar
PK	=	3795 bar
PE	=	4125 bar
M	=	25.00
EE	=	1830 Joule

**Miscellaneous Dimensions**

Fe <sup>1)</sup>	=	0.15
delta L	=	

**CHAMBER MINI****Lengths**

L1 <sup>*</sup>	=	35.03
L2 <sup>*</sup>	=	41.62
L3 <sup>1)</sup>	=	52.30

**Breech**

R <sup>1)</sup>	=	1.60
R1	=	12.55
R2	=	
R3	=	
r	=	

**Powder Chamber**

E	=	
P1 <sup>1)</sup>	=	10.65
P2 <sup>*</sup>	=	9.23

**Junction Cone**

alpha	=	24°
S	=	56.74
r1 max	=	3.80
r2	=	7.60

**Collar**

H1 <sup>*</sup>	=	6.43
H2 <sup>1)</sup>	=	6.42

**Commencement of Rifling**

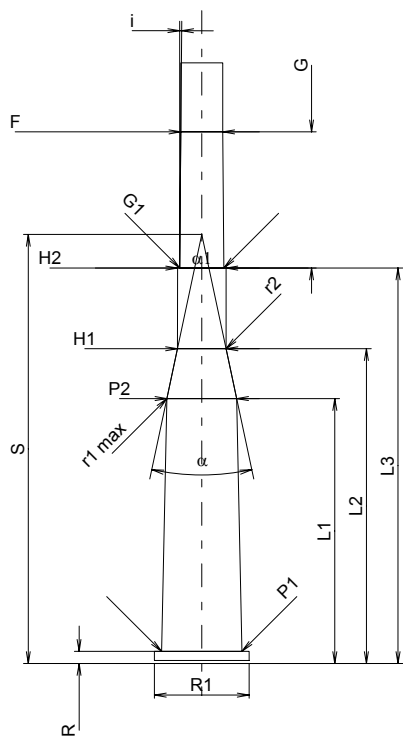
G1 <sup>1)</sup> *	=	5.85
G <sup>1)</sup> *	=	18.00
alpha1	=	180°
h	=	
s	=	
i <sup>1)</sup>	=	0°28'39"
w	=	

**Barrel**

F <sup>1)</sup> *	=	5.55
Z <sup>1)</sup>	=	5.75

**Grooves**

b	=	2.00
N	=	6
u	=	270.00
Q	=	25.42 mm <sup>2</sup>



Scale 1:1

Dimensions in << mm >>  
Dimensions and Tolerances for Proof Barrels  
see Appendix CR 1.

Notes: 1) Check for safety reasons  
\* Basic dimensions