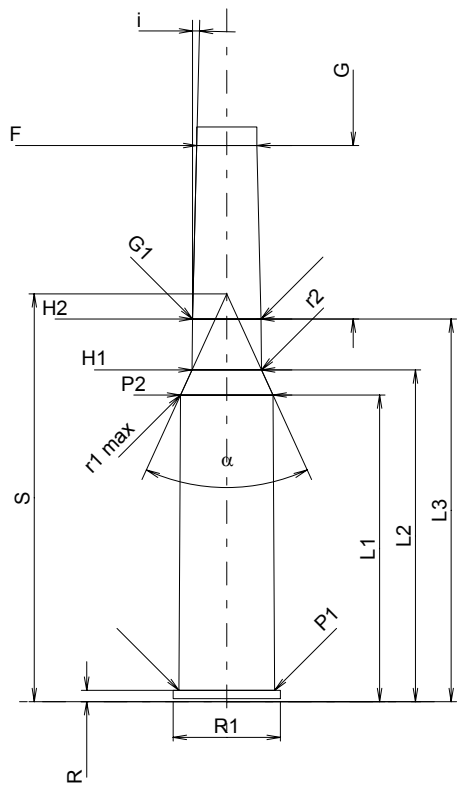
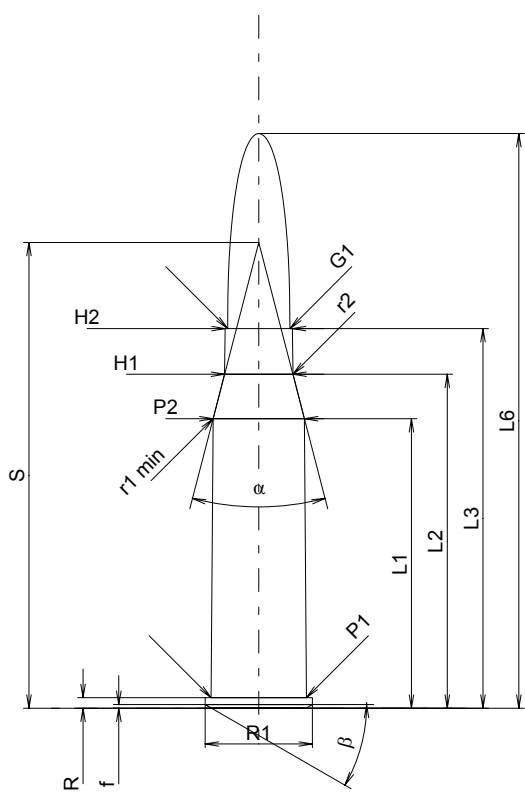


C.I.P.

8 x 50 R

TAB. II
Date 89-10-06

Country of Origin: AT

Revision 02-05-15


Scale 1:1

 Dimensions in << mm >>
 Dimensions and Tolerances for Proof Barrels
 see Appendix CR 1.

CARTRIDGE MAXI
Lengths

L1 ⁺	=	38.29
L2 ⁺	=	44.17
L3 ¹⁾	=	50.20
L4	=	
L5	=	
L6	=	76.00

Case Head

R ¹⁾	=	1.40	-0.25
R1	=	14.20	
R3	=		
E	=		
E1	=		
e min	=		
delta	=		
f	=	0.50	
beta	=	30°	

Powder Chamber

P1	=	12.60
P2 [*]	=	12.09

Junction Cone

alpha	=	29°04'45"
S	=	61.60
r1 min	=	10.00
r2	=	2.00

Collar

H1 ⁺	=	9.04
H2 ¹⁾	=	8.90

Projectile

G1 ¹⁾	=	8.22
G2	=	
F	=	
L3+G ¹⁾	=	73.15

Pressures (Energies)
Method Transducer

Pmax	=	3550 bar
PK	=	4083 bar
PE	=	4440 bar
M	=	25.00
EE	=	3000 Joule

Miscellaneous Dimensions

Fe ¹⁾	=	0.15
delta L	=	

CHAMBER MINI
Lengths

L1 ⁺	=	40.55
L2 ⁺	=	43.87
L3 ¹⁾	=	50.60

Breech

R ¹⁾	=	1.50
R1	=	14.20
R2	=	
R3	=	
r	=	

Powder Chamber

E	=	
P1 ¹⁾	=	12.64
P2 [*]	=	12.22

Junction Cone

alpha	=	49°03'25"
S	=	53.94
r1 max	=	10.04
r2	=	2.00

Collar

H1 ⁺	=	9.19
H2 ¹⁾	=	9.04

Commencement of Rifling

G1 ¹⁾ *	=	9.04
G ¹⁾ *	=	22.95
alpha1	=	180°
h	=	
s	=	
i ¹⁾	=	1°21'37"
w	=	

Barrel

F ¹⁾ *	=	7.95
Z ¹⁾	=	8.35

Grooves

b	=	3.50
N	=	4
u	=	250.00
Q	=	52.53 mm ²

 Notes: 1) Check for safety reasons
 * Basic dimensions