

# C.I.P.

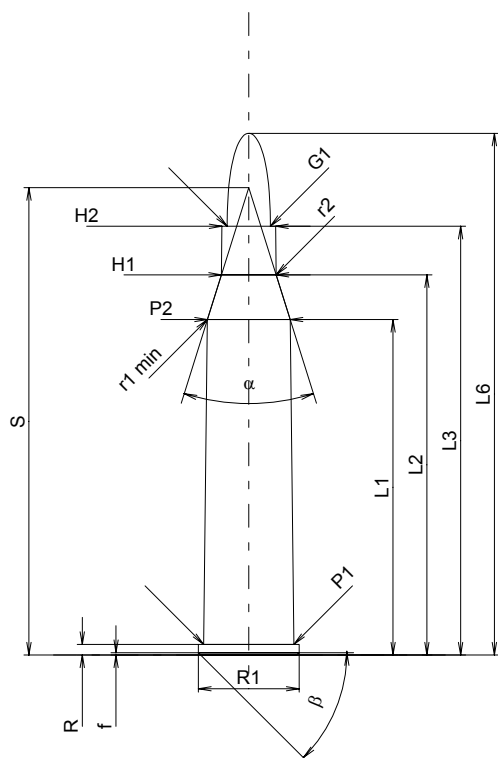
# 5,6 x 57 R

Country of Origin: DE

TAB. II

Date 84-06-14

Revision 02-05-15

**CARTRIDGE MAXI****Lengths**

L1*	=	44.37
L2*	=	50.28
L3 <sup>1)</sup>	=	56.70
L4	=	
L5	=	
L6	=	69.00

**Case Head**

R <sup>1)</sup>	=	1.40	-0.25
R1	=	13.32	
R3	=		
E	=		
E1	=		
e min	=		
δ	=		
f	=	0.30	
β	=	45°	

**Powder Chamber**

P1	=	11.94
P2*	=	10.94

**Junction Cone**

α	=	34°49'05"
S	=	61.82
r1 min	=	0.50
r2	=	0.50

**Collar**

H1*	=	7.24
H2 <sup>1)</sup>	=	7.10

**Projectile**

G1 <sup>1)</sup>	=	5.70
G2	=	
F	=	
L3+G <sup>1)</sup>	=	67.50

**Pressures (Energies)****Method Transducer**

Pmax	=	4400 bar
PK	=	5060 bar
PE	=	5500 bar
M	=	25.00
EE	=	2720 Joule

**Miscellaneous Dimensions**

Fe <sup>1)</sup>	=	0.10
delta L	=	

**CHAMBER MINI****Lengths**

L1*	=	44.46
L2*	=	50.38
L3 <sup>1)</sup>	=	57.00

**Breech**

R <sup>1)</sup>	=	1.40
R1	=	13.40
R2	=	
R3	=	
r	=	

**Powder Chamber**

E	=	
P1 <sup>1)</sup>	=	11.97
P2*	=	10.97

**Junction Cone**

α	=	34°47'45"
S	=	61.96
r1 max	=	0.50
r2	=	0.50

**Collar**

H1*	=	7.26
H2 <sup>1)</sup>	=	7.12

**Commencement of Rifling**

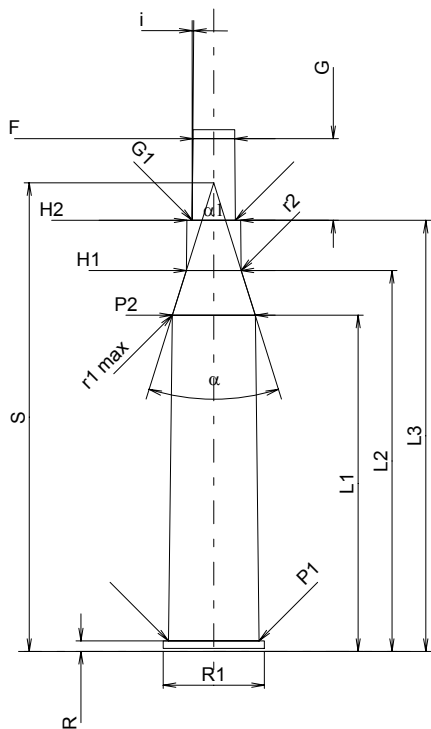
G1 <sup>1)</sup> *	=	5.72
G <sup>1)</sup> *	=	10.80
α1	=	180°
h	=	
s	=	
i <sup>1)</sup>	=	0°28'39"
w	=	

**Barrel**

F <sup>1)</sup> *	=	5.54
Z <sup>1)</sup>	=	5.69

**Grooves**

b	=	2.00
N	=	6
u	=	250.00
Q	=	25.03 mm <sup>2</sup>



Scale 1:1

Dimensions in << mm >>  
Dimensions and Tolerances for Proof Barrels  
see Appendix CR 1.Notes: 1) Check for safety reasons  
\* Basic dimensions