

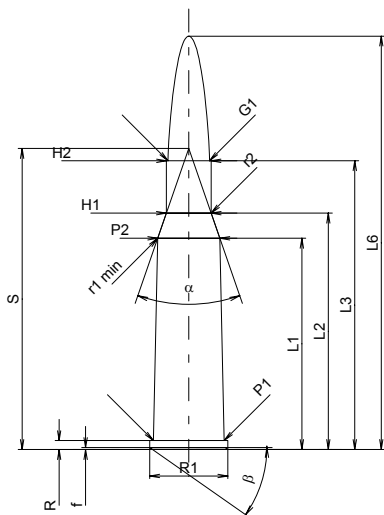
C.I.P.**8 mm - 348 Win.**

TAB. II

Date 99-03-16

Country of Origin: FR

Revision 02-05-15

**CARTRIDGE MAXI****Lengths**

L1 ⁺	=	41.91
L2 ⁺	=	46.88
L3 ¹⁾	=	57.28
L4	=	
L5	=	
L6	=	82.00

Case Head

R ¹⁾	=	1.78	-0.25
R1	=	15.49	
R3	=		
E	=		
E1	=		
e min	=		
delta	=		
f	=	0.38	
beta	=	35°	

Powder Chamber

P1	=	14.05
P2 ⁺	=	12.32

Junction Cone

alpha	=	38°10'45"
S	=	59.71
r1 min	=	0.76
r2	=	2.54

Collar

H1 ⁺	=	8.88
H2 ¹⁾	=	8.85

Projectile

G1 ¹⁾	=	8.22
G2	=	
F	=	
L3+G ¹⁾	=	66.77

Pressures (Energies)**Method Transducer**

Pmax	=	3000 bar
PK	=	3450 bar
PE	=	3750 bar
M	=	25.00
EE	=	2600 Joule

Miscellaneous Dimensions

Fe ¹⁾	=	0.15
delta L	=	

CHAMBER MINI**Lengths**

L1 ⁺	=	42.17
L2 ⁺	=	47.12
L3 ¹⁾	=	57.53

Breech

R ¹⁾	=	1.78
R1	=	15.75
R2	=	
R3	=	
r	=	

Powder Chamber

E	=	
P1 ¹⁾	=	14.07
P2 ⁺	=	12.34

Junction Cone

alpha	=	38°19'19"
S	=	59.93
r1 max	=	0.76
r2	=	2.54

Collar

H1 ⁺	=	8.90
H2 ¹⁾	=	8.87

Commencement of Rifling

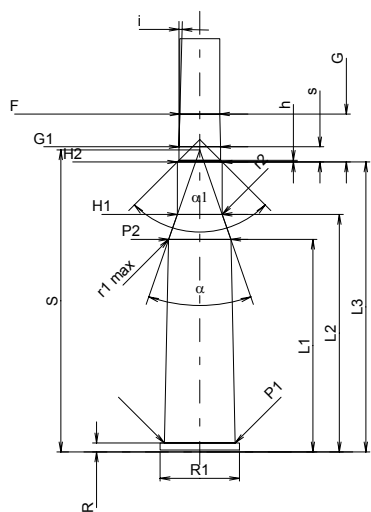
G1 ¹⁾ *	=	8.23
G ¹⁾ *	=	9.49
alpha1	=	90°
h	=	0.32
s ⁺	=	3.00
i ¹⁾	=	1°30'02"
w	=	

Barrel

F ¹⁾ *	=	7.89
Z ¹⁾	=	8.20

Grooves

b	=	4.05
N	=	4
u	=	240.00
Q	=	51.52 mm ²



Scale 1:1.5

Dimensions in << mm >>
Dimensions and Tolerances for Proof Barrels
see Appendix CR 1.

Notes: 1) Check for safety reasons
* Basic dimensions