

# C.I.P.

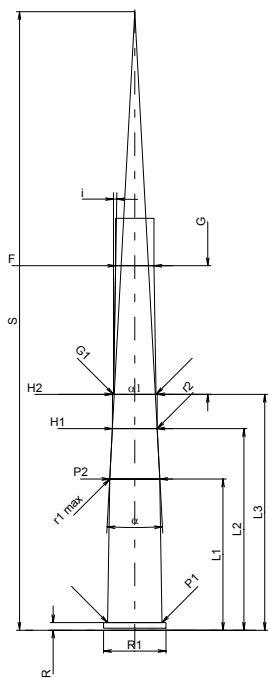
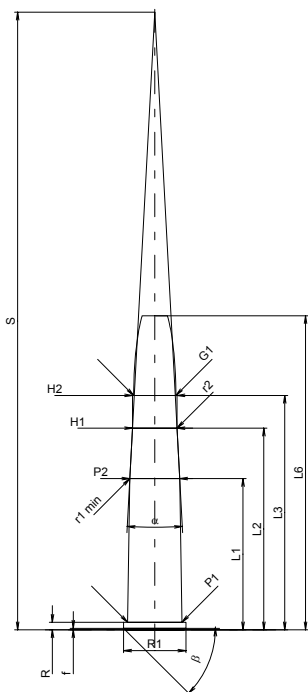
## 8,15 x 46 R

Country of Origin: DE

TAB. II

Date 84-06-14

Revision 02-05-15



Scale 1:1.5

### CARTRIDGE MAXI

#### Lengths

L1 <sup>*</sup>	=	30.00
L2 <sup>*</sup>	=	40.00
L3 <sup>1)</sup>	=	46.50
L4	=	
L5	=	
L6	=	62.30

#### Case Head

R <sup>1)</sup>	=	1.50	-0.25
R1	=	12.35	
R3	=		
E	=		
E1	=		
e min	=		
δ	=		
f	=	0.30	
β	=	45°	

#### Powder Chamber

P1	=	10.75
P2 <sup>*</sup>	=	9.90

#### Junction Cone

α	=	6°07'30"
S	=	122.52
r1 min	=	0.50
r2	=	0.50

#### Collar

H1 <sup>*</sup>	=	8.83
H2 <sup>1)</sup>	=	8.83

#### Projectile

G1 <sup>1)</sup>	=	8.38
G2	=	
F	=	
L3+G <sup>1)</sup>	=	72.00

#### Pressures (Energies)

##### Method Transducer

Pmax	=	1650 bar
PK	=	1898 bar
PE	=	2060 bar
M	=	25.00
EE	=	1785 Joule

#### Miscellaneous Dimensions

Fe <sup>1)</sup>	=	0.15
delta L	=	

### CHAMBER MINI

#### Lengths

L1 <sup>*</sup>	=	30.00
L2 <sup>*</sup>	=	40.00
L3 <sup>1)</sup>	=	46.80

#### Breech

R <sup>1)</sup>	=	1.50
R1	=	12.40
R2	=	
R3	=	
r	=	

#### Powder Chamber

E	=	
P1 <sup>1)</sup>	=	10.77
P2 <sup>*</sup>	=	9.92

#### Junction Cone

α	=	6°07'30"
S	=	122.71
r1 max	=	0.50
r2	=	0.50

#### Collar

H1 <sup>*</sup>	=	8.85
H2 <sup>1)</sup>	=	8.84

#### Commencement of Rifling

G1 <sup>1)</sup> *	=	8.45
G <sup>1)</sup> *	=	25.50
α1	=	180°
h	=	
s	=	
i <sup>1)</sup>	=	0°57'17"
w	=	

#### Barrel

F <sup>1)</sup> *	=	7.60
Z <sup>1)</sup>	=	8.03

#### Grooves

b	=	3.00
N	=	6
u	=	360.00
Q	=	49.34 mm <sup>2</sup>

Dimensions in << mm >>  
Dimensions and Tolerances for Proof Barrels  
see Appendix CR 1.

Notes: 1) Check for safety reasons  
\* Basic dimensions