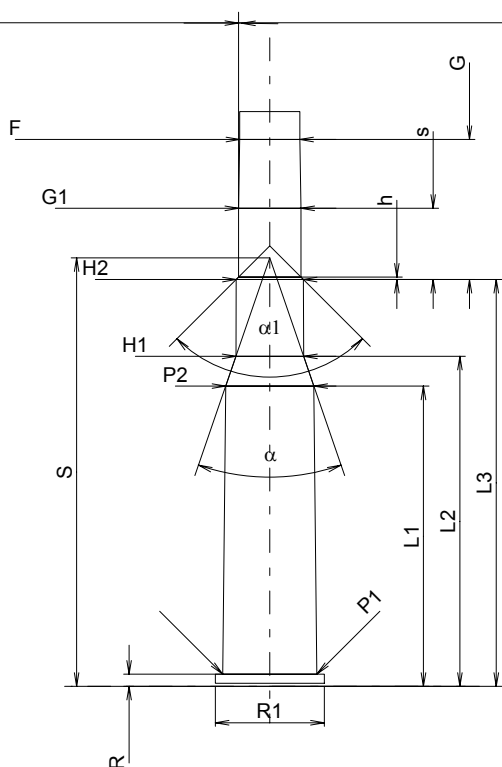
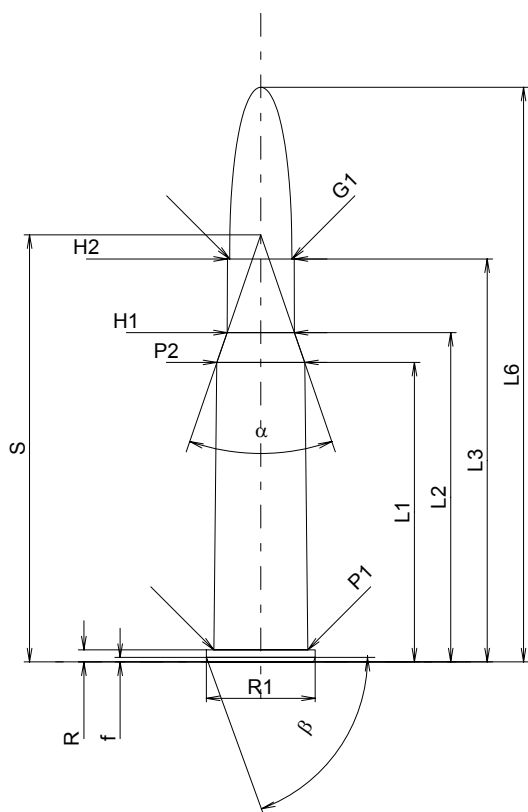


C.I.P.

8,2 x 53 R

TAB. II
Date 95-03-09

Country of Origin: FI

Revision 02-05-15

CARTRIDGE MAXI
Lengths

L1*	=	39.61
L2*	=	43.55
L3 ¹⁾	=	53.30
L4	=	
L5	=	
L6	=	76.00

Case Head

R ¹⁾	=	1.60	-0.25
R1	=	14.40	
R3	=		
E	=		
E1	=		
e min	=		
delta	=		
f	=	0.60	
beta	=	70°	

Powder Chamber

P1	=	12.42
P2*	=	11.61

Junction Cone

alpha	=	37°57'24"
S	=	56.49
r1 min	=	
r2	=	

Collar

H1*	=	8.90
H2 ¹⁾	=	8.82

Projectile

G1 ¹⁾	=	8.22
G2	=	
F	=	
L3+G ¹⁾	=	71.82

Pressures (Energies)
Method Transducer

Pmax	=	3400 bar
PK	=	3910 bar
PE	=	4250 bar
M	=	25.00
EE	=	4040 Joule

Miscellaneous Dimensions

Fe ¹⁾	=	0.15
delta L	=	

CHAMBER MINI
Lengths

L1*	=	39.70
L2*	=	43.64
L3 ¹⁾	=	53.80

Breech

R ¹⁾	=	1.60
R1	=	14.43
R2	=	
R3	=	
r	=	

Powder Chamber

E	=	
P1 ¹⁾	=	12.45
P2*	=	11.67

Junction Cone

alpha	=	37°57'25"
S	=	56.67
r1 max	=	
r2	=	

Collar

H1*	=	8.96
H2 ¹⁾	=	8.91

Commencement of Rifling

G1 ¹⁾ *	=	8.27
G ¹⁾ *	=	18.52
alpha1	=	90°
h	=	0.32
s*	=	9.42
i ¹⁾	=	0°58'32"
w	=	

Barrel

F ¹⁾ *	=	7.96
Z ¹⁾	=	8.20

Grooves

b	=	3.75
N	=	4
u	=	254.00
Q	=	51.64 mm ²

Scale 1:1

 Dimensions in << mm >>
 Dimensions and Tolerances for Proof Barrels
 see Appendix CR 1.

 Notes: 1) Check for safety reasons
 * Basic dimensions