

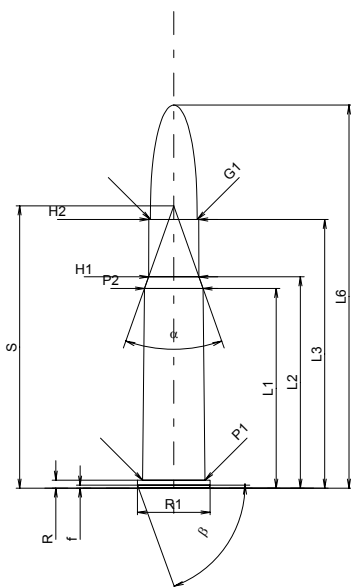
C.I.P.**9,3 x 53 R Finnish**

TAB. II

Date 95-03-09

Country of Origin: FI

Revision 02-05-15

**CARTRIDGE MAXI****Lengths**

L1 *	=	39.61
L2 *	=	41.94
L3 ¹⁾	=	53.30
L4	=	
L5	=	
L6	=	76.00

Case Head

R ¹⁾	=	1.60	-0.25
R1	=	14.40	
R3	=		
E	=		
E1	=		
e min	=		
delta	=		
f	=	0.60	
beta	=	70°	

Powder Chamber

P1	=	12.42
P2 *	=	11.61

Junction Cone

alpha	=	38°59'44"
S	=	56.00
r1 min	=	
r2	=	

Collar

H1 *	=	9.96
H2 ¹⁾	=	9.90

Projectile

G1 ¹⁾	=	9.30
G2	=	
F	=	
L3+G ¹⁾	=	76.08

Pressures (Energies)**Method Transducer**

Pmax	=	3400 bar
PK	=	3910 bar
PE	=	4250 bar
M	=	25.00
EE	=	4300 Joule

Miscellaneous Dimensions

Fe ¹⁾	=	0.15
delta L	=	

CHAMBER MINI**Lengths**

L1 *	=	39.70
L2 *	=	42.14
L3 ¹⁾	=	53.80

Breech

R ¹⁾	=	1.60
R1	=	14.43
R2	=	
R3	=	
r	=	

Powder Chamber

E	=	
P1 ¹⁾	=	12.45
P2 *	=	11.67

Junction Cone

alpha	=	37°21'43"
S	=	56.96
r1 max	=	
r2	=	

Collar

H1 *	=	10.02
H2 ¹⁾	=	9.96

Commencement of Rifling

G1 ¹⁾ *	=	9.36
G ¹⁾ *	=	22.78
alpha 1	=	90°
h	=	0.30
s *	=	11.55
i ¹⁾	=	0°47'25"
w	=	

Barrel

F ¹⁾ *	=	9.05
Z ¹⁾	=	9.28

Grooves

b	=	3.10
N	=	6
u	=	380.00
Q	=	66.51 mm ²

Scale 1:1.5

Dimensions in << mm >>
Dimensions and Tolerances for Proof Barrels
see Appendix CR 1.

Notes: 1) Check for safety reasons
* Basic dimensions