

C.I.P.

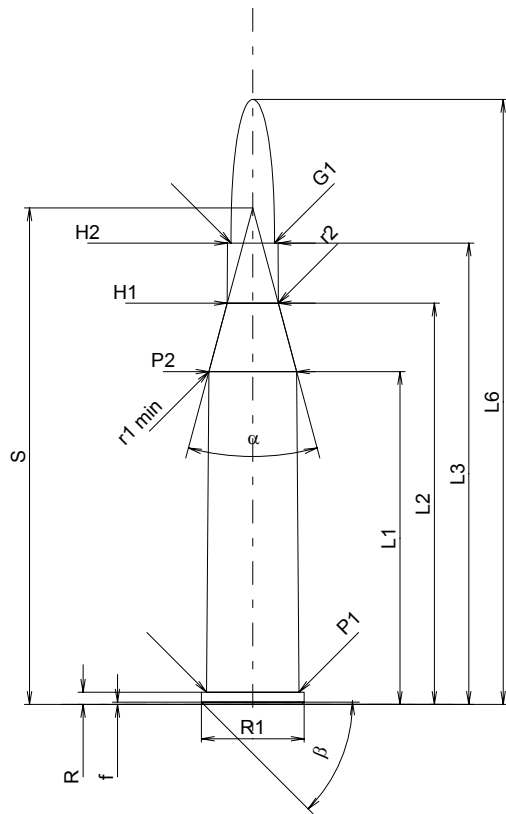
5,6 x 61 R SE v. H.

TAB. II

Date 84-06-14

Country of Origin: DE

Revision 02-05-15



CARTRIDGE MAXI

Lengths

L1*	=	44.00
L2*	=	53.05
L3 ¹⁾	=	61.00
L4	=	
L5	=	
L6	=	80.00

Case Head

R ¹⁾	=	1.60	-0.25
R1	=	13.60	
R3	=		
E	=		
E1	=		
e min	=		
delta	=		
f	=	0.30	
beta	=	45°	

Powder Chamber

P1	=	12.22
P2*	=	11.60

Junction Cone

alpha	=	30°
S	=	65.65
r1 min	=	0.50
r2	=	0.50

Collar

H1*	=	6.75
H2 ¹⁾	=	6.68

Projectile

G1 ¹⁾	=	5.76
G2	=	
F	=	
L3+G ¹⁾	=	76.00

Pressures (Energies)

Method Transducer

Pmax	=	3800 bar
PK	=	4370 bar
PE	=	4750 bar
M	=	25.00
EE	=	2945 Joule

Miscellaneous Dimensions

Fe ¹⁾	=	0.15
delta L	=	

CHAMBER MINI

Lengths

L1*	=	44.00
L2*	=	53.05
L3 ¹⁾	=	61.30

Breech

R ¹⁾	=	1.60
R1	=	13.65
R2	=	
R3	=	
r	=	

Powder Chamber

E	=	
P1 ¹⁾	=	12.25
P2*	=	11.63

Junction Cone

alpha	=	30°
S	=	65.70
r1 max	=	0.50
r2	=	0.50

Collar

H1*	=	6.78
H2 ¹⁾	=	6.71

Commencement of Rifling

G1 ¹⁾ *	=	5.88
G ¹⁾ *	=	15.00
alpha1	=	180°
h	=	
s	=	
i ¹⁾	=	0°34'22"
w	=	

Barrel

F ¹⁾ *	=	5.58
Z ¹⁾	=	5.76

Grooves

b	=	2.60
N	=	4
u	=	220.00
Q	=	25.43 mm ²

Scale 1:1

Dimensions in << mm >>
Dimensions and Tolerances for Proof Barrels
see Appendix CR 1.

Notes: 1) Check for safety reasons
* Basic dimensions