

C.I.P.

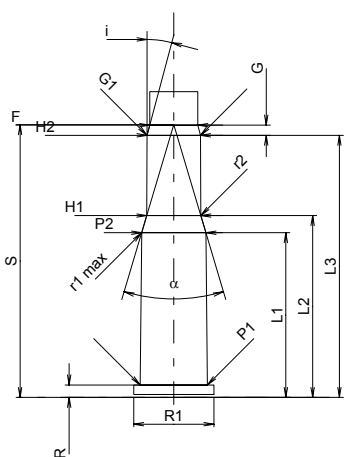
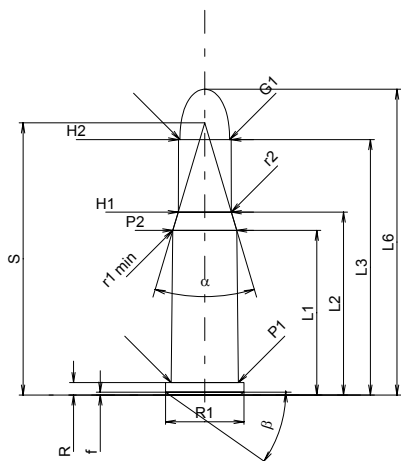
25-20 Win.

Country of Origin: US

TAB. II

Date 84-06-14

Revision 02-05-15



CARTRIDGE MAXI

Lengths

L1	=	21.77
L2	=	24.19
L3 ¹⁾	=	33.78
L4	=	
L5	=	
L6	=	40.44

Case Head

R ¹⁾	=	1.65	-0.25
R1	=	10.36	
R3	=		
E	=		
E1	=		
e min	=		
delta	=		
f	=	0.38	
beta	=	35°	

Powder Chamber

P1	=	8.87
P2 *	=	8.46

Junction Cone

alpha *	=	33°07'59"
S *	=	35.99
r1 min	=	2.54
r2	=	4.70

Collar

H1 *	=	7.02
H2 ¹⁾	=	6.95

Projectile

G1 ¹⁾	=	6.55
G2	=	
F	=	
L3+G ¹⁾	=	35.13

Pressures (Energies)

Method Transducer

Pmax	=	2700 bar
PK	=	3105 bar
PE	=	3375 bar
M	=	17.50
EE	=	1090 Joule

Miscellaneous Dimensions

Fe ¹⁾	=	0.15
delta L	=	

CHAMBER MINI

Lengths

L1	=	21.78
L2	=	24.05
L3 ¹⁾	=	34.67

Breech

R ¹⁾	=	1.65
R1	=	10.62
R2	=	
R3	=	
r	=	

Powder Chamber

E	=	
P1 ¹⁾	=	8.90
P2 *	=	8.50

Junction Cone

alpha *	=	33°07'58"
S *	=	36.08
r1 max	=	2.54
r2	=	4.70

Collar

H1 *	=	7.15
H2 ¹⁾	=	7.07

Commencement of Rifling

G1 ¹⁾ *	=	7.07
G ¹⁾	=	1.35
alpha 1 *	=	15°
h	=	
s	=	
i ¹⁾ *	=	15°
w	=	

Barrel

F ¹⁾ *	=	6.35
Z ¹⁾	=	6.50

Grooves

b	=	1.98
N	=	6
u	=	356.00
Q	=	32.57 mm ²

Scale 1:1

Dimensions in << mm >>
Dimensions and Tolerances for Proof Barrels
see Appendix CR 1.

Notes: 1) Check for safety reasons
* Basic dimensions