

C.I.P.

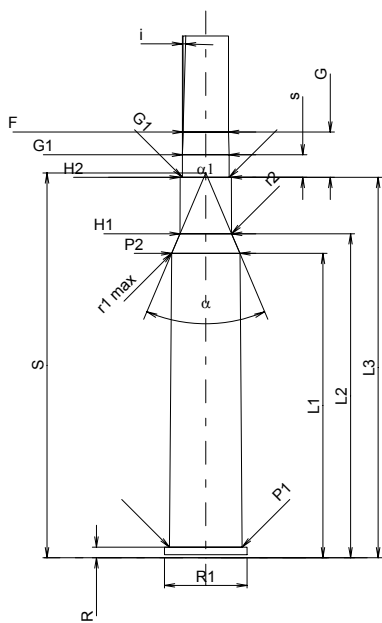
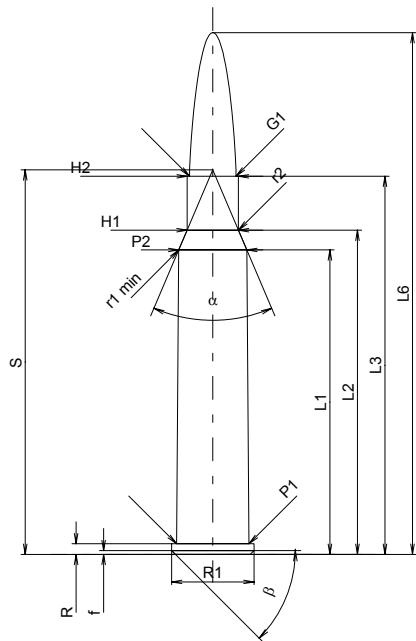
6 x 50 R Scheiring

Country of Origin: AT

TAB. II

Date 87-09-29

Revision 02-05-15



Scale 1:1

Dimensions in << mm >>
Dimensions and Tolerances for Proof Barrels
see Appendix CR 1.

CARTRIDGE MAXI

Lengths

L1 [*]	=	40.26
L2 [*]	=	42.87
L3 ¹⁾	=	50.00
L4	=	
L5	=	
L6	=	69.00

Case Head

R ¹⁾	=	1.40	-0.15
R1	=	10.90	
R3	=		
E	=		
E1	=		
e min	=		
delta	=		
f	=	0.50	
beta	=	45°	

Powder Chamber

P1	=	9.59
P2 [*]	=	9.00

Junction Cone

alpha	=	46°04'44"
S	=	50.84
r1 min	=	0.50
r2	=	0.50

Collar

H1 [*]	=	6.78
H2 ¹⁾	=	6.75

Projectile

G1 ¹⁾	=	6.17
G2	=	
F	=	
L3+G ¹⁾	=	56.00

Pressures (Energies)

Method Transducer

Pmax	=	4400 bar
PK	=	5060 bar
PE	=	5500 bar
M	=	25.00
EE	=	2100 Joule

Miscellaneous Dimensions

Fe ¹⁾	=	0.10
delta L	=	

CHAMBER MINI

Lengths

L1 [*]	=	40.26
L2 [*]	=	42.85
L3 ¹⁾	=	50.30

Breech

R ¹⁾	=	1.40
R1	=	10.93
R2	=	
R3	=	
r	=	

Powder Chamber

E	=	
P1 ¹⁾	=	9.62
P2 [*]	=	9.03

Junction Cone

alpha	=	46°01'22"
S	=	50.89
r1 max	=	0.50
r2	=	0.50

Collar

H1 [*]	=	6.83
H2 ¹⁾	=	6.80

Commencement of Rifling

G1 ¹⁾ *	=	6.19
G ¹⁾ *	=	6.00
alpha1	=	180°
h	=	
s [*]	=	3.00
i ¹⁾	=	1°37'22"
w	=	

Barrel

F ¹⁾ *	=	6.02
Z ¹⁾	=	6.17

Grooves

b	=	1.73
N	=	6
u	=	254.00
Q	=	29.25 mm ²

Notes: 1) Check for safety reasons
* Basic dimensions