

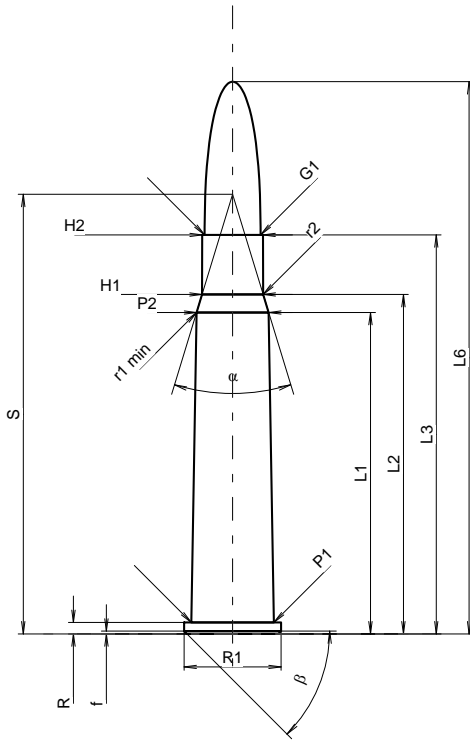
C.I.P.**303 British**

Country of Origin: GB

TAB. II

Date 84-06-14

Revision 08-09-23

**CARTRIDGE MAXI****Lengths**

L1 *	=	45.47
L2 *	=	48.01
L3 ¹⁾	=	56.44
L4	=	
L5	=	
L6	=	78.11

Case Head

R ¹⁾	=	1.63	-0.25
R1	=	13.72	
R3	=		
E	=		
E1	=		
e min	=		
delta	=		
f	=	0.40	
beta	=	45°	

Powder Chamber

P1	=	11.68
P2 *	=	10.19

Junction Cone

alpha	=	33°56'08"
S	=	62.17
r1 min	=	2.29
r2	=	2.29

Collar

H1 *	=	8.64
H2 ¹⁾	=	8.59

Projectile

G1 ¹⁾	=	7.92
G2	=	
F	=	
L3+G ¹⁾	=	71.07

Pressures (Energies)**Method Transducer**

Pmax	=	3650 bar
PK	=	4198 bar
PE	=	4560 bar
M	=	25.00
EE	=	2910 Joule

Miscellaneous Dimensions

Fe ¹⁾⁴⁾	=	0.15
delta L	=	

CHAMBER MINI**Lengths**

L1 *	=	46.04
L2 *	=	48.06
L3 ¹⁾	=	56.44

Breech

R ¹⁾	=	1.63
R1	=	13.97
R2	=	
R3	=	
r	=	

Powder Chamber

E	=	
P1 ¹⁾	=	11.74
P2 *	=	10.25

Junction Cone

alpha	=	40°29'21"
S	=	59.94
r1 max	=	
r2	=	

Collar

H1 *	=	8.76
H2 ¹⁾	=	8.66

Commencement of Rifling

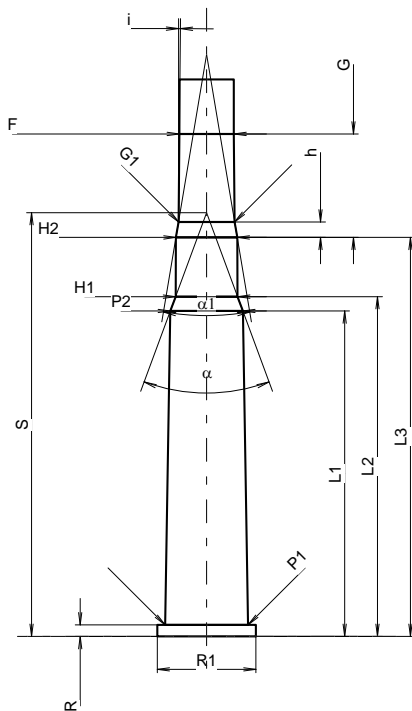
G1 ¹⁾ *	=	7.93
G ¹⁾ *	=	14.63
alpha1	=	19°
h *	=	2.18
s	=	
i ¹⁾	=	0°31'45"
w	=	

Barrel

F ¹⁾ *	=	7.70
Z ¹⁾	=	7.98

Grooves

b	=	2.12
N	=	5
u	=	254.00
Q	=	48.07 mm ²



Scale 1:1.07

Dimensions in << mm >>
Dimensions and Tolerances for Proof Barrels
see Appendix CR 1.

Notes: 1) Check for safety reasons
4) Headspace on Rim
* Basic dimensions