

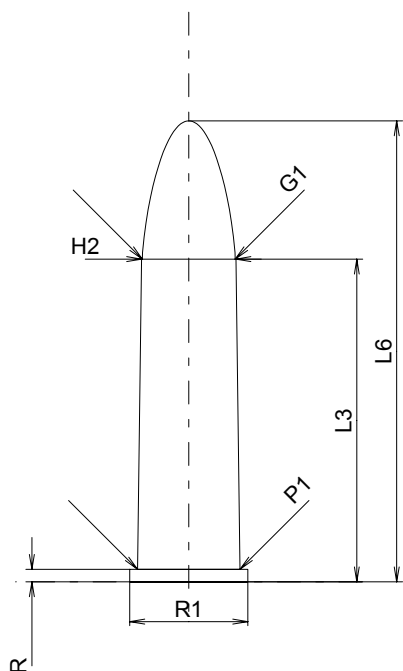
C.I.P.**310 Cadet Rifle**

TAB. II

Date 84-06-14

Country of Origin: GB

Revision 02-05-15

**CARTRIDGE MAXI****Lengths**

L1	=	
L2	=	
L3 ¹⁾	=	28.45
L4	=	
L5	=	
L6	=	40.64

Case Head

R ¹⁾	=	1.09	-0.25
R1	=	10.41	
R3	=		
E	=		
E1	=		
e min	=		
δ	=		
f	=		
β	=		

Powder Chamber

P1	=	9.02
P2	=	

Junction Cone

α	=	
S	=	
r1 min	=	
r2	=	

Collar

H1	=	
H2 ¹⁾	=	8.31

Projectile

G1 ¹⁾	=	8.20
G2	=	
F	=	
L3+G ¹⁾	=	35.20

Pressures (Energies)**Method Transducer**

Pmax	=	1100 bar
PK	=	1265 bar
PE	=	1375 bar
M	=	17.50
EE	=	680 Joule

Miscellaneous Dimensions

Fe ¹⁾	=	0.15
delta L	=	

CHAMBER MINI**Lengths**

L1	=	
L2	=	
L3 ¹⁾	=	28.70

Breech

R ¹⁾	=	1.12
R1	=	10.54
R2	=	
R3	=	
r	=	

Powder Chamber

E	=	
P1 ¹⁾	=	9.04
P2	=	

Junction Cone

α	=	
S	=	
r1 max	=	
r2	=	

Collar

H1	=	
H2 ¹⁾	=	8.33

Commencement of Rifling

G1 ^{1)*}	=	8.25
G ^{1)*}	=	6.75
α1	=	180°
h	=	
s	=	
i ¹⁾	=	1°29'06"
w	=	

Barrel

F ^{1)*}	=	7.90
Z ¹⁾	=	8.18

Grooves

b	=	
N	=	
u	=	508.00
Q	=	49.02 mm ²

Scale 1.5:1

Dimensions in << mm >>
Dimensions and Tolerances for Proof Barrels
see Appendix CR 1.

Notes: 1) Check for safety reasons
* Basic dimensions