

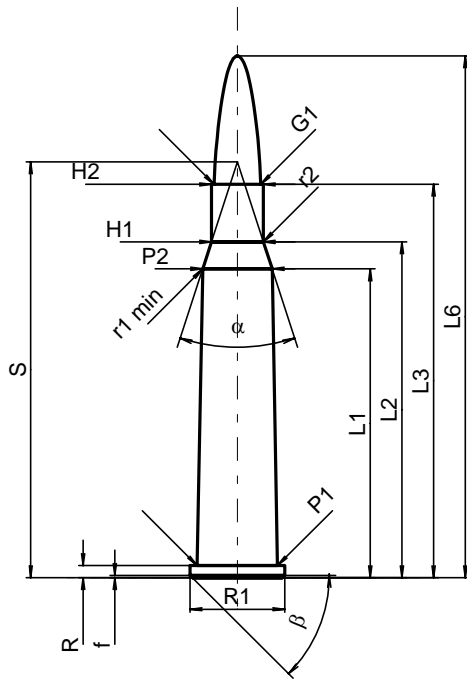
C.I.P.**6 x 52 R BB2**

TAB. II

Date 05-05-25

Country of Origin: DE

Revision

**CARTRIDGE MAXI****Lengths**

L1	=	40.83
L2	=	44.40
L3 ¹⁾	=	52.00
L4	=	
L5	=	
L6	=	69.00

Case Head

R ¹⁾	=	1.60	-0.25
R1	=	12.50	
R3	=		
E	=		
E1	=		
e min	=		
delta	=		
f	=	0.30	
beta	=	45°	

Powder Chamber

P1	=	10.62
P2*	=	9.20

Junction Cone

alpha*	=	36°
S*	=	54.99
r1 min	=	0.50
r2	=	0.50

Collar

H1*	=	6.88
H2 ¹⁾	=	6.88

Projectile

G1 ^{1)*}	=	6.17
G2	=	
F	=	
L3+G ¹⁾	=	58.67

Pressures (Energies)**Method Transducer**

Pmax	=	3300 bar
PK	=	3795 bar
PE	=	4125 bar
M	=	25.00
EE	=	2200 Joule

Miscellaneous Dimensions

Fe ¹⁾	=	0.15
delta L	=	

CHAMBER MINI**Lengths**

L1	=	40.82
L2	=	44.39
L3 ¹⁾	=	52.30

Breech

R ¹⁾	=	1.60
R1	=	12.55
R2	=	
R3	=	
r	=	

Powder Chamber

E	=	
P1 ¹⁾	=	10.65
P2*	=	9.23

Junction Cone

alpha*	=	36°
S*	=	55.02
r1 max	=	0.50
r2	=	0.50

Collar

H1*	=	6.91
H2 ¹⁾	=	6.90

Commencement of Rifling

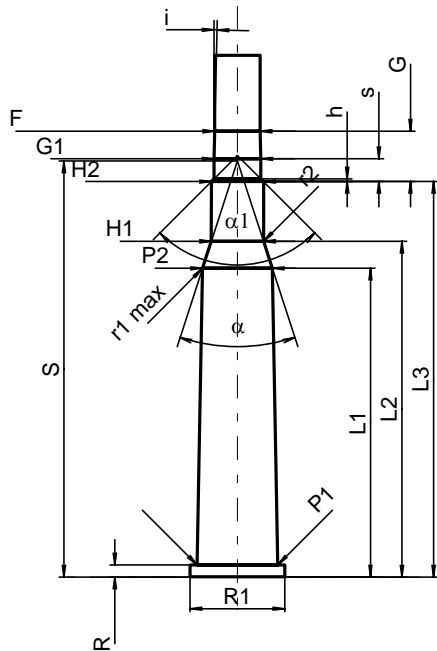
G1 ^{1)*}	=	6.19
G ¹⁾	=	6.67
alpha1	=	90°
h	=	0.36
s*	=	3.00
i ^{1)*}	=	1°19'36"
w	=	

Barrel

F ^{1)*}	=	6.02
Z ¹⁾	=	6.17

Grooves

b	=	1.73
N	=	6
u	=	254.00
Q	=	29.25 mm ²



Scale 1:1

Dimensions in << mm >>
Dimensions and Tolerances for Proof Barrels
see Appendix CR 1.

Notes: 1) Check for safety reasons
* Basic dimensions