

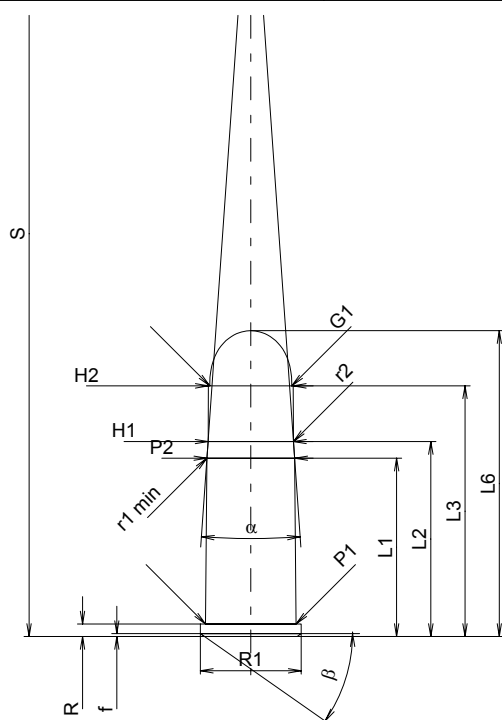
C.I.P.**44-40 Win.**

TAB. II

Date 84-06-14

Pays d'origine: US

Révision 02-05-15

**CARTOUCHE MAXI****Longueurs**

L1	=	23.58
L2	=	25.79
L3 ¹⁾	=	33.15
L4	=	
L5	=	
L6	=	40.44

Colot

R ¹⁾	=	1.65	-0.25
R1	=	13.34	
R3	=		
E	=		
E1	=		
e min	=		
delta	=		
f	=	0.38	
beta	=	35°	

Chambre à poudre

P1	=	11.97
P2*	=	11.60

Cône de raccordement

alpha*	=	8°
S*	=	106.52
r1 min	=	5.08
r2	=	5.08

Collet

H1*	=	11.29
H2 ¹⁾	=	11.25

Projectile

G1 ¹⁾	=	10.85
G2	=	
F	=	
L3+G ¹⁾	=	37.31

Pressions (Énergies)**Méthode transducteur**

Pmax	=	1100 bar
PK	=	1265 bar
PE	=	1375 bar
M	=	17.50
EE	=	890 Joule

Autres indications

Fe ¹⁾	=	0.15
delta L	=	

CHAMBRE MINI**Longueurs**

L1	=	23.32
L2	=	25.48
L3 ¹⁾	=	33.35

Cuvette

R ¹⁾	=	1.65
R1	=	13.59
R2	=	
R3	=	
r	=	

Chambre à poudre

E	=	
P1 ¹⁾	=	11.98
P2*	=	11.65

Cône de raccordement

alpha*	=	9°
S*	=	97.33
r1 max	=	5.08
r2	=	5.08

Collet

H1*	=	11.31
H2 ¹⁾	=	11.27

Prise de rayures

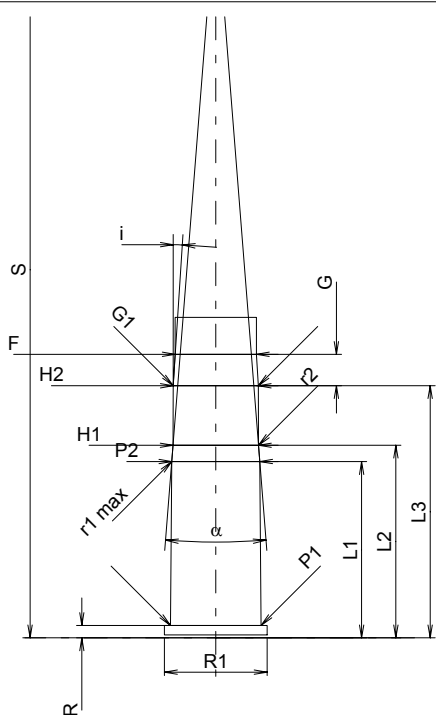
G1 ¹⁾ *	=	11.27
G ¹⁾	=	4.16
alpha1*	=	180°
h	=	
s	=	
i ¹⁾ *	=	3°43'
w	=	

Canon

F ¹⁾ *	=	10.73
Z ¹⁾	=	10.88

Rayures

b	=	3.37
N	=	6
u	=	914.00
Q	=	91.97 mm ²



Échelle 1:1

Dimensions en << mm >>
Dimensions et tolérances pour les canons
d'épreuve: Voyez Annexe CR 1.

Notes: 1) A' contrôler pour la sécurité
* Dimensions de base