

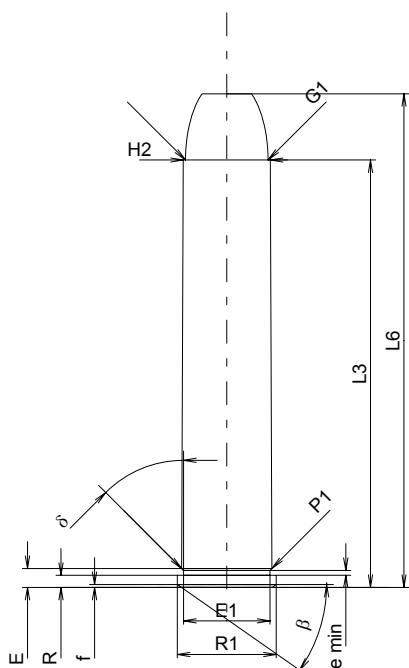
C.I.P.**444 Marlin**

TAB. II

Date 84-06-14

Pays d'origine: US

Révision 02-05-15

**CARTOUCHE MAXI****Longueurs**

L1	=	
L2	=	
L3 ¹⁾	=	56.52
L4	=	
L5	=	
L6	=	65.28

Culot

R ¹⁾	=	1.60	-0.25
R1	=	13.06	
R3	=		
E	=	2.50	
E1	=	11.43	
e min	=	0.64	
delta	=	45°	
f	=	0.38	
beta	=	35°	

Chambre à poudre

P1	=	11.95
P2	=	

Cône de raccordement

alpha	=	
S	=	
r1 min	=	
r2	=	

Collet

H1	=	
H2 ¹⁾	=	11.51

Projectile

G1 ¹⁾	=	10.93
G2	=	
F	=	
L3+G ¹⁾	=	58.10

Pressions (Énergies)**Méthode transducteur**

Pmax	=	3550 bar
PK	=	4083 bar
PE	=	4440 bar
M	=	25.00
EE	=	3287 Joule

Autres indications

Fe ¹⁾	=	0.15
delta L	=	

CHAMBRE MINI**Longueurs**

L1	=	
L2	=	
L3 ¹⁾	=	56.90

Cuvette

R ¹⁾	=	1.60
R1	=	13.31
R2	=	
R3	=	
r	=	

Chambre à poudre

E	=	
P1 ¹⁾	=	11.98
P2	=	

Cône de raccordement

alpha	=	
S	=	
r1 max	=	
r2	=	

Collet

H1	=	
H2 ¹⁾	=	11.54

Prise de rayures

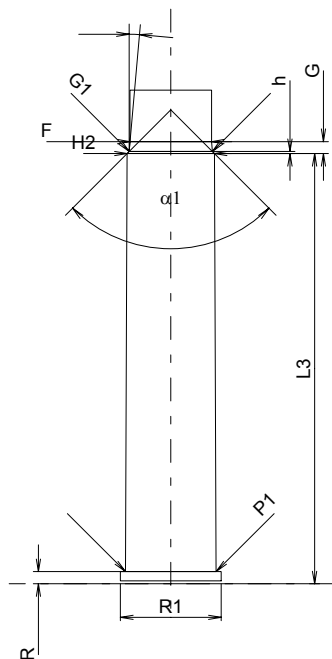
G1 ^{1)*}	=	11.00
G ¹⁾	=	1.58
alpha ¹⁾	=	90°
h	=	0.27
s	=	
i ^{1)*}	=	5°
w	=	

Canon

F ^{1)*}	=	10.77
Z ¹⁾	=	10.92

Rayures

b	=	1.57
N	=	12
u	=	965.00
Q	=	92.52 mm ²



Échelle 1:1

Dimensions en << mm >>
Dimensions et tolérances pour les canons
d'épreuve: Voyez Annexe CR 1.

Notes: 1) A' contrôler pour la sécurité
* Dimensions de base