

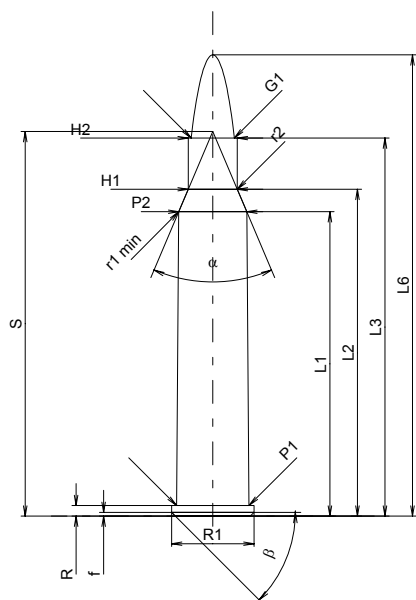
C.I.P.**5,6 x 50 R Mag.**

TAB. II

Date 98-02-20

Pays d'origine: DE

Révision 02-05-15

**CARTOUCHE MAXI****Longueurs**

L1 [*]	=	40.26
L2 [*]	=	43.23
L3 ¹⁾	=	50.00
L4	=	
L5	=	
L6	=	61.00

Colot

R ¹⁾	=	1.40	-0.25
R1	=	10.90	
R3	=		
E	=		
E1	=		
e min	=		
delta	=		
f	=	0.50	
beta	=	45°	

Chambre à poudre

P1	=	9.59
P2 [*]	=	9.00

Cône de raccordement

alpha	=	45°58'38"
S	=	50.87
r1 min	=	0.50
r2	=	0.50

Collet

H1 [*]	=	6.48
H2 ¹⁾	=	6.48

Projectile

G1 ¹⁾	=	5.70
G2	=	
F	=	
L3+G ¹⁾	=	51.80

Pressions (Énergies)**Méthode transducteur**

Pmax	=	3400 bar
PK	=	3910 bar
PE	=	4250 bar
M	=	25.00
EE	=	1950 Joule

Autres indications

Fe ¹⁾	=	0.15
delta L	=	

CHAMBRE MINI**Longueurs**

L1 [*]	=	40.26
L2 [*]	=	43.21
L3 ¹⁾	=	50.30

Cuvette

R ¹⁾	=	1.40
R1	=	10.93
R2	=	
R3	=	
r	=	

Chambre à poudre

E	=	
P1 ¹⁾	=	9.62
P2 [*]	=	9.03

Cône de raccordement

alpha	=	45°55'40"
S	=	50.92
r1 max	=	0.50
r2	=	0.50

Collet

H1 [*]	=	6.53
H2 ¹⁾	=	6.51

Prise de rayures

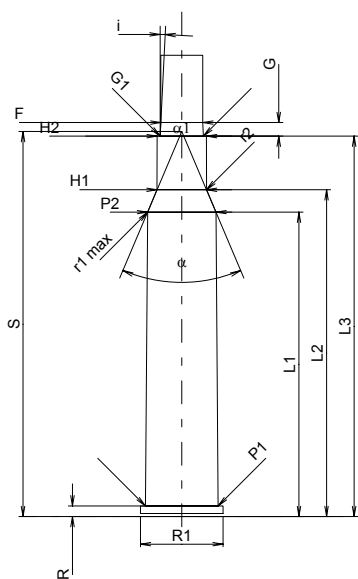
G1 ¹⁾ *	=	5.74
G ¹⁾ *	=	1.80
alpha1	=	180°
h	=	
s	=	
i ¹⁾	=	2°51'45"
w	=	

Canon

F ¹⁾ *	=	5.56
Z ¹⁾	=	5.69

Rayures

b	=	2.00
N	=	6
u	=	350.00
Q	=	25.08 mm ²



Échelle 1:1

Dimensions en << mm >>
Dimensions et tolérances pour les canons
d'épreuve: Voyez Annexe CR 1.

Notes: 1) A' contrôler pour la sécurité
* Dimensions de base