

C.I.P.**25-20 Win.****TAB. II****Date 84-06-14**

Pays d'origine: US

Révision 02-05-15**CARTOUCHE MAXI****CHAMBRE MINI****Longueurs**

L1	=	21.77
L2	=	24.19
L3 ¹⁾	=	33.78
L4	=	
L5	=	
L6	=	40.44

Longueurs

L1	=	21.78
L2	=	24.05
L3 ¹⁾	=	34.67

Culot

R ¹⁾	=	1.65
R1	=	10.36
R3	=	
E	=	
E1	=	
e min	=	
δ	=	
f	=	0.38
β	=	35°

Cuvette

R ¹⁾	=	1.65
R1	=	10.62
R2	=	
R3	=	
r	=	

Chambre à poudre

P1	=	8.87
P2 *	=	8.46

Chambre à poudre

E	=	
P1 ¹⁾	=	8.90
P2 *	=	8.50

Cône de raccordement

α *	=	33°07'59"
S *	=	35.99
r1 min	=	2.54
r2	=	4.70

Cône de raccordement

α *	=	33°07'58"
S *	=	36.08
r1 max	=	2.54
r2	=	4.70

Collet

H1 *	=	7.02
H2 ¹⁾	=	6.95

Collet

H1 *	=	7.15
H2 ¹⁾	=	7.07

Projectile

G1 ¹⁾	=	6.55
G2	=	
F	=	
L3+G ¹⁾	=	35.13

Prise de rayures

G1 ¹⁾ *	=	7.07
G ¹⁾	=	1.35
α1 *	=	15°
h	=	
s	=	
i ¹⁾ *	=	15°
w	=	

Pressions (Énergies)**Méthode transducteur**

Pmax	=	2700 bar
PK	=	3105 bar
PE	=	3375 bar
M	=	17.50
EE	=	1090 Joule

Canon

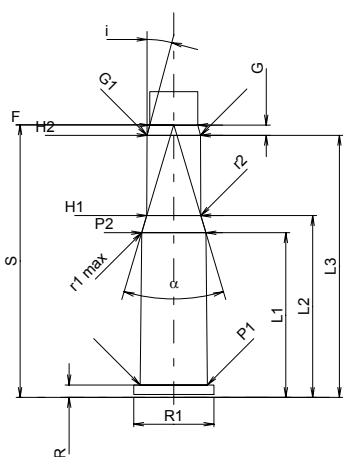
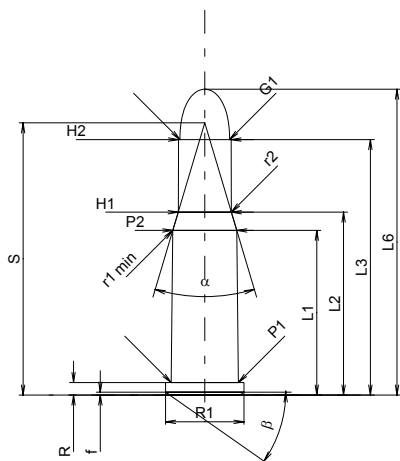
F ¹⁾ *	=	6.35
Z ¹⁾	=	6.50

Rayures

b	=	1.98
N	=	6
u	=	356.00
Q	=	32.57 mm ²

Autres indications

Fe ¹⁾	=	0.15
delta L	=	



Échelle 1:1

Dimensions en << mm >>
Dimensions et tolérances pour les canons
d'épreuve: Voyez Annexe CR 1.

Notes: 1) A' contrôler pour la sécurité
* Dimensions de base