

C.I.P.**33 Win.**

TAB.

II

Date

84-06-14

Pays d'origine: US

Révision

02-05-15

CARTOUCHE MAXI**CHAMBRE MINI****Longueurs**

L1	=	40.96
L2	=	44.10
L3 ¹⁾	=	53.47
L4	=	
L5	=	
L6	=	70.99

Longueurs

L1	=	41.05
L2	=	44.21
L3 ¹⁾	=	54.61

Culot

R ¹⁾	=	1.78	-0.25
R1	=	15.49	
R3	=		
E	=		
E1	=		
e min	=		
δ	=		
f	=		
β	=		

Cuvette

R ¹⁾	=	1.78
R1	=	15.75
R2	=	
R3	=	
r	=	

Chambre à poudre

P1	=	12.90
P2 *	=	11.20

Chambre à poudre

E	=	
P1 ¹⁾	=	12.97
P2 *	=	11.26

Cône de raccordement

α *	=	32°30'
S *	=	60.17
r1 min	=	7.62
r2	=	5.20

Cône de raccordement

α *	=	32°30'
S *	=	60.37
r1 max	=	7.62
r2	=	5.08

Collet

H1 *	=	9.37
H2 ¹⁾	=	9.29

Collet

H1 *	=	9.42
H2 ¹⁾	=	9.31

Projectile

G1 ¹⁾	=	8.60
G2	=	
F	=	
L3+G ¹⁾	=	62.97

Prise de rayures

G1 ¹⁾ *	=	8.78
G ¹⁾	=	9.50
α1 *	=	30°
h	=	0.99
s	=	
i ¹⁾ *	=	1°20'47"
w	=	

Pressions (Énergies)**Méthode transducteur**

Pmax	=	3050 bar
PK	=	3508 bar
PE	=	3810 bar
M	=	25.00
EE	=	4015 Joule

Canon

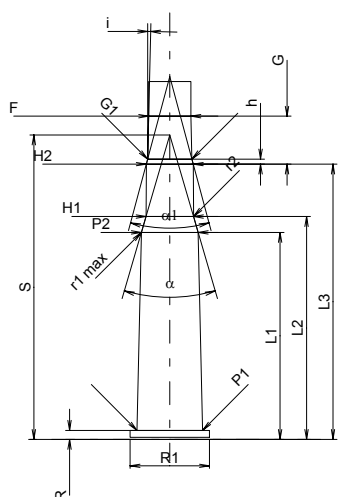
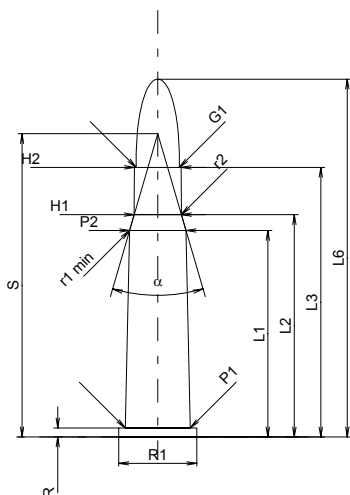
F ¹⁾ *	=	8.38
Z ¹⁾	=	8.59

Rayures

b	=	2.79
N	=	6
u	=	305.00
Q	=	56.94 mm ²

Autres indications

Fe ¹⁾	=	0.15
delta L	=	



Échelle 1:1.5

Dimensions en << mm >>
Dimensions et tolérances pour les canons
d'épreuve: Voyez Annexe CR 1.

Notes: 1) A' contrôler pour la sécurité
* Dimensions de base