

C.I.P.**10,3 x 68 Mag.**

TAB.

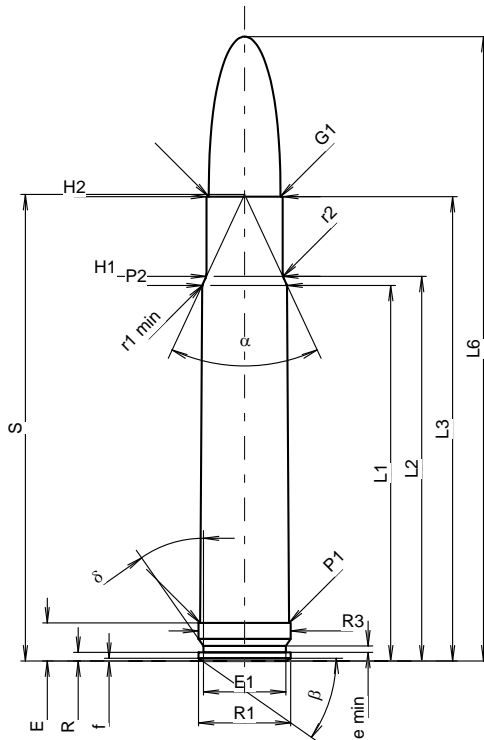
III

Date

17-11-08

Revision

Country of Origin: CH

**CARTRIDGE MAXI****Lengths**

L1	=	55.00
L2	=	56.33
L3 ¹⁾	=	68.00
L4	=	
L5	=	
L6	=	91.44

Case Head

R	=	1.27
R1	=	13.51
R3	=	13.51
E ¹⁾	=	5.59
E1	=	12.07
e min	=	0.94
delta	=	35°
f	=	0.41
beta	=	35°

Powder Chamber

P1	=	13.03
P2 *	=	12.42

Junction Cone

alpha *	=	50°
S *	=	68.32
r1 min	=	1.00
r2	=	2.00

Collar

H1 *	=	11.18
H2 ¹⁾	=	11.18

Projectile

G1 ¹⁾	=	10.51
G2	=	
F	=	
L3+G ¹⁾	=	76.86

Pressures (Energies)**Method Transducer**

Pmax	=	4400 bar
PK	=	5060 bar
PE	=	5500 bar
M	=	25.00
EE	=	6700 Joule

Miscellaneous Dimensions

Fe ¹⁾⁵⁾	=	0.10
delta L	=	

CHAMBER MINI**Lengths**

L1	=	55.02
L2	=	56.35
L3 ¹⁾	=	68.30

Breech

R	=	
R1	=	13.59
R2	=	
R3	=	13.59
r	=	

Powder Chamber

E ¹⁾	=	5.59
P1 ¹⁾	=	13.06
P2 *	=	12.45

Junction Cone

alpha ^{1)*}	=	50°
S *	=	68.37
r1 max	=	0.75
r2	=	2.00

Collar

H1 *	=	11.21
H2 ¹⁾	=	11.21

Commencement of Rifling

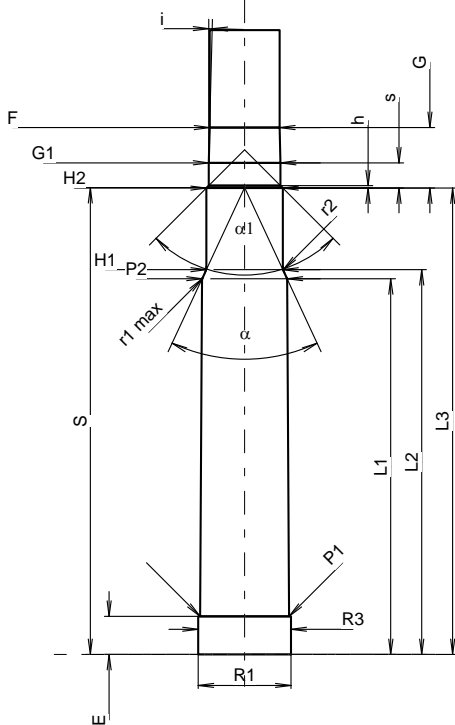
G1 ^{1)*}	=	10.52
G ¹⁾	=	8.86
alpha l	=	90°
h	=	0.35
s *	=	3.70
i ^{1)*}	=	1°30'
w	=	

Barrel

F ^{1)*}	=	10.25
Z ¹⁾	=	10.49

Grooves

b	=	3.60
N	=	6
u	=	450.00
Q	=	85.16 mm ²



Scale 1:1.11

Dimensions in << mm >>
Dimensions and Tolerances for Proof Barrels
see Appendix CR 1.

Notes: 1) Check for safety reasons
5) Headspace on Belt
* Basic dimensions