

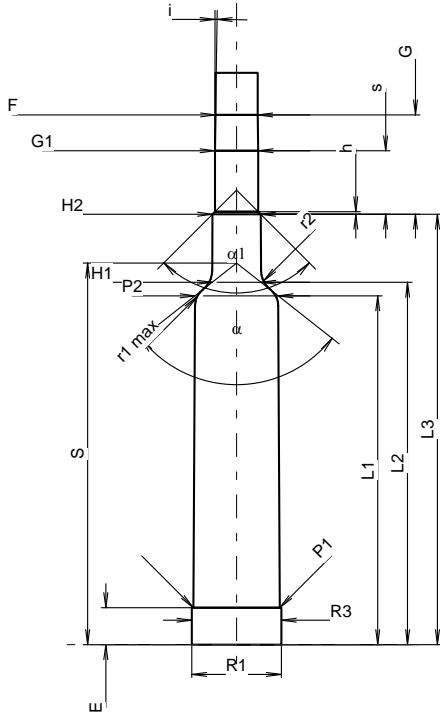
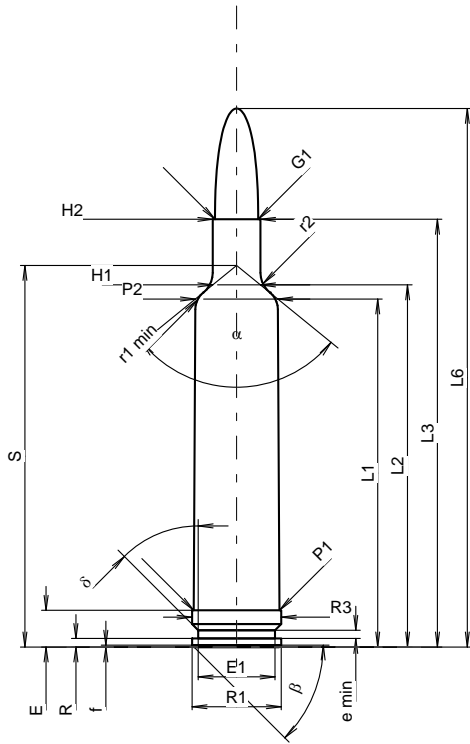
**C.I.P.****257 Weath. Mag.**

Country of Origin: US

TAB. III

Date 84-06-14

Revision 18-10-17



Scale 1:1.14

Dimensions in << mm >>  
 Dimensions and Tolerances for Proof Barrels  
 see Appendix CR 1.

**CARTRIDGE MAXI****Lengths**

L1	=	52.68
L2	=	54.82
L3 <sup>1)</sup>	=	64.74
L4	=	
L5	=	
L6	=	81.51

**Case Head**

R	=	1.30
R1	=	13.50
R3	=	13.50
E <sup>1)</sup>	=	5.56
E1	=	11.61
e min	=	1.24
delta	=	45°
f	=	0.30
beta	=	45°

**Powder Chamber**

P1	=	13.00
P2 *	=	12.48

**Junction Cone**

alpha *	=	101°45'19"
S *	=	57.76
r1 min	=	3.30
r2	=	3.84

**Collar**

H1 *	=	7.24
H2 <sup>1)</sup>	=	7.24

**Projectile**

G1 <sup>1)</sup>	=	6.54
G2	=	
F	=	
L3+G <sup>1)</sup>	=	79.77

**Pressures (Energies)****Method Transducer**

Pmax	=	4400 bar
PK	=	5060 bar
PE	=	5500 bar
M	=	25.00
EE	=	4095 Joule

**Miscellaneous Dimensions**

Fe <sup>1)</sup>	=	0.10
delta L	=	

Notes: 1) Check for safety reasons  
 \* Basic dimensions

**CHAMBER MINI****Lengths**

L1	=	52.78
L2	=	54.83
L3 <sup>1)</sup>	=	65.13

**Breech**

R	=	
R1	=	13.56
R2	=	
R3	=	13.56
r	=	

**Powder Chamber**

E <sup>1)</sup>	=	5.59
P1 <sup>1)</sup>	=	13.06
P2 *	=	12.58

**Junction Cone**

alpha *	=	103°37'21"
S *	=	57.73
r1 max	=	3.05
r2	=	3.84

**Collar**

H1 *	=	7.38
H2 <sup>1)</sup>	=	7.32

**Commencement of Rifling**

G1 <sup>1)</sup> *	=	6.54
G <sup>1)</sup>	=	15.03
alpha1 *	=	90°
h	=	0.39
s	=	9.60
i <sup>1)</sup> *	=	0°57'
w	=	

**Barrel**

F <sup>1)</sup> *	=	6.36
Z <sup>1)</sup>	=	6.53

**Grooves**

b	=	2.49
N	=	6
u	=	254.00
Q	=	33.07 mm <sup>2</sup>