

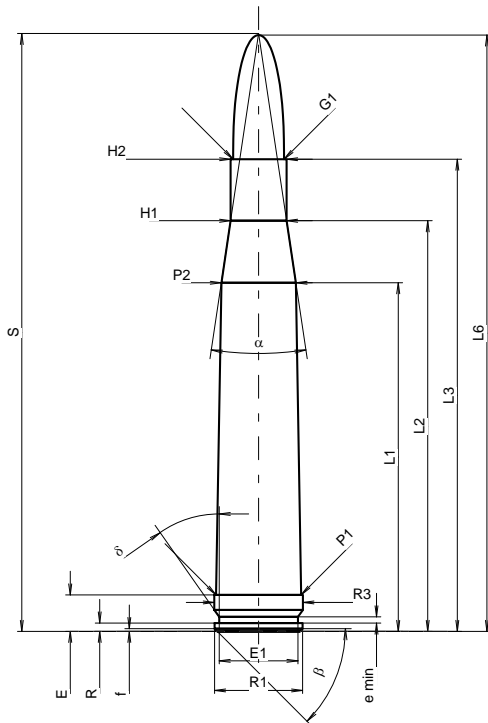
C.I.P.

300 H&H Mag.

TAB.	III
Datum	84-06-14
Revision	11-05-25

Ursprungsland: GB

Alternative Namen: 30 Super Belt. Riml. H&H, 300 H&H Belt. Riml. N.E.

**PATRONE MAXI****Längen**

L1 *	=	53.46
L2 *	=	62.96
L3 ¹⁾	=	72.39
L4	=	
L5	=	
L6	=	91.44

Hülsenboden

R	=	1.27
R1	=	13.51
R3	=	13.56
E ¹⁾	=	5.59
E1	=	12.07
e min	=	0.94
delta	=	35°
f	=	0.41
beta	=	45°

Pulverkammer

P1	=	13.03
P2 *	=	11.43

Schulterkonus

alpha	=	17°00'9"
S	=	91.69
r1 min	=	
r2	=	

Hülsenhals

H1 *	=	8.59
H2 ¹⁾	=	8.59

Geschoss

G1 ¹⁾	=	7.82
G2	=	
F	=	
L3+G ¹⁾	=	75.56

Drücke (Energien)**Mech. elektr. Wandler**

Pmax	=	4300 bar
PK	=	4945 bar
PE	=	5375 bar
M	=	25.00
EE	=	4725 Joule

Verschiedene Daten

Fe ¹⁾⁵⁾	=	0.10
delta L	=	

PATRONENLAGER MINI**Längen**

L1 *	=	54.01
L2 *	=	62.96
L3 ¹⁾	=	72.90

Stoßboden

R	=	
R1	=	13.59
R2	=	
R3	=	13.59
r	=	

Pulverkammer

E ¹⁾	=	5.59
P1 ¹⁾	=	13.06
P2 *	=	11.45

Schulterkonus

alpha	=	17°43'05"
S	=	90.74
r1 max	=	1.27
r2	=	2.54

Hülsenhals

H1 *	=	8.66
H2 ¹⁾	=	8.62

Geschossübergang

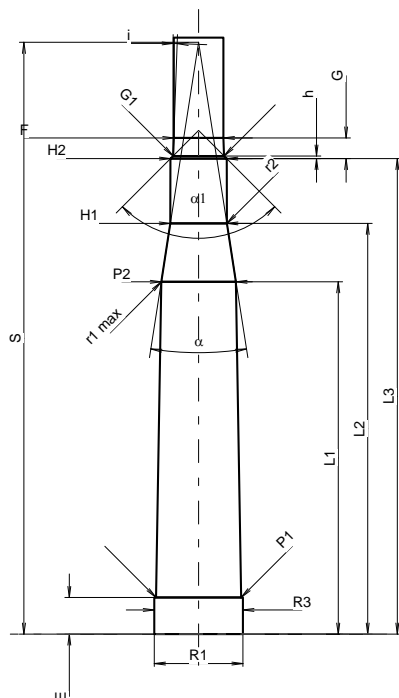
G1 ¹⁾ *	=	7.82
G ¹⁾ *	=	3.17
alpha1	=	90°
h *	=	0.40
s	=	
i ¹⁾	=	2°03'59"
w	=	

Lauf

F ¹⁾ *	=	7.62
Z ¹⁾	=	7.82

Züge

b	=	2.72
N	=	6
u	=	254.00
Q	=	47.27 mm ²



Maßstab 1:1.16

Maße in << mm >>
Maße und Toleranzen für Messläufe
siehe Anhang CR 1.

Bemerkungen: 1) Kontrolle aus Sicherheitsgründen
5) Verschlussabstand an Gürtel
* Grundmaße