

# C.I.P.

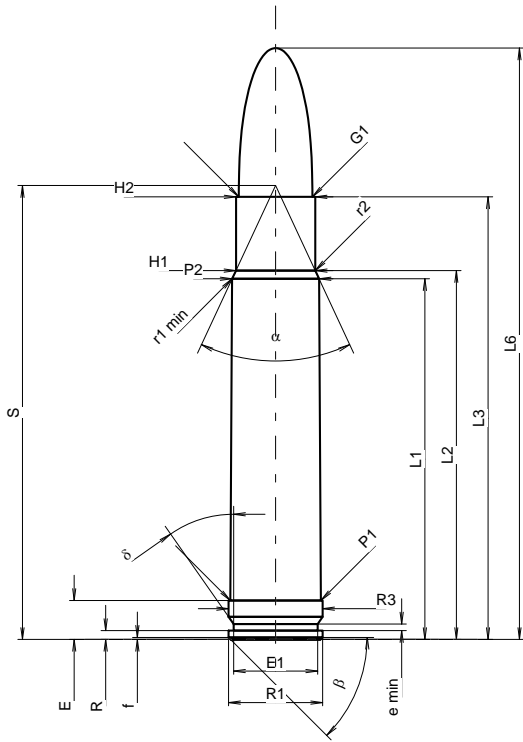
## 416 Taylor Mag.

Country of Origin: US

TAB. III

Date 08-04-15

Revision 11-05-25



### CARTRIDGE MAXI

#### Lengths

|       |   |       |
|-------|---|-------|
| L1    | = | 51.75 |
| L2    | = | 52.92 |
| L3 1) | = | 63.50 |
| L4    | = |       |
| L5    | = |       |
| L6    | = | 84.84 |

#### Case Head

|       |   |       |
|-------|---|-------|
| R     | = | 1.27  |
| R1    | = | 13.51 |
| R3    | = | 13.51 |
| E 1)  | = | 5.59  |
| E1    | = | 12.07 |
| e min | = | 0.94  |
| delta | = | 35°   |
| f     | = | 0.30  |
| beta  | = | 45°   |

#### Powder Chamber

|      |   |       |
|------|---|-------|
| P1   | = | 13.01 |
| P2 * | = | 12.47 |

#### Junction Cone

|         |   |       |
|---------|---|-------|
| alpha * | = | 50°   |
| S *     | = | 65.12 |
| r1 min  | = | 0.81  |
| r2      | = | 1.27  |

#### Collar

|       |   |       |
|-------|---|-------|
| H1 *  | = | 11.38 |
| H2 1) | = | 11.35 |

#### Projectile

|         |   |       |
|---------|---|-------|
| G1 1)   | = | 10.57 |
| G2      | = |       |
| F       | = |       |
| L3+G 1) | = | 73.35 |

#### Pressures (Energies)

#### Method Transducer

|      |   |            |
|------|---|------------|
| Pmax | = | 4400 bar   |
| PK   | = | 5060 bar   |
| PE   | = | 5500 bar   |
| M    | = | 25.00      |
| EE   | = | 7400 Joule |

#### Miscellaneous Dimensions

|         |   |      |
|---------|---|------|
| Fe 1)5) | = | 0.10 |
| delta L | = |      |

### CHAMBER MINI

#### Lengths

|       |   |       |
|-------|---|-------|
| L1    | = | 51.90 |
| L2    | = | 53.06 |
| L3 1) | = | 63.88 |

#### Breech

|    |   |       |
|----|---|-------|
| R  | = |       |
| R1 | = | 13.59 |
| R2 | = |       |
| R3 | = | 13.59 |
| r  | = |       |

#### Powder Chamber

|       |   |       |
|-------|---|-------|
| E 1)  | = | 5.59  |
| P1 1) | = | 13.06 |
| P2 *  | = | 12.49 |

#### Junction Cone

|         |   |       |
|---------|---|-------|
| alpha * | = | 50°   |
| S *     | = | 65.29 |
| r1 max  | = | 0.50  |
| r2      | = | 0.50  |

#### Collar

|       |   |       |
|-------|---|-------|
| H1 *  | = | 11.41 |
| H2 1) | = | 11.38 |

#### Commencement of Rifling

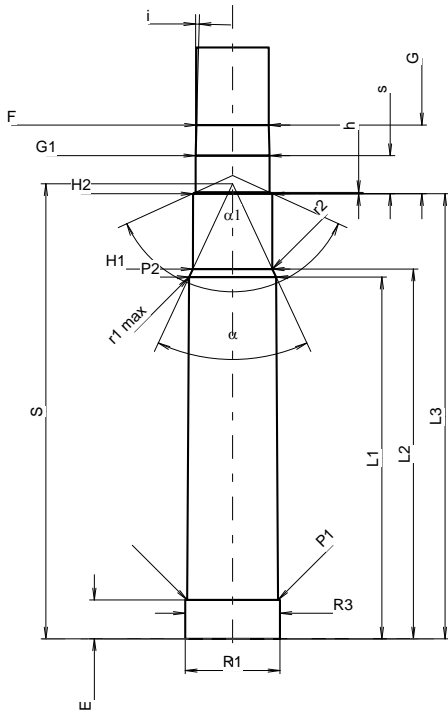
|           |   |       |
|-----------|---|-------|
| G1 1)*    | = | 10.59 |
| G 1)      | = | 9.85  |
| alpha 1 * | = | 131°  |
| h         | = | 0.18  |
| s         | = | 5.46  |
| i 1)*     | = | 1°30' |
| w         | = |       |

#### Barrel

|       |   |       |
|-------|---|-------|
| F 1)* | = | 10.36 |
| Z 1)  | = | 10.57 |

#### Grooves

|   |   |                       |
|---|---|-----------------------|
| b | = | 3.25                  |
| N | = | 6                     |
| u | = | 254.00                |
| Q | = | 86.38 mm <sup>2</sup> |



Scale 1:1.08

Dimensions in << mm >>  
Dimensions and Tolerances for Proof Barrels  
see Appendix CR 1.

Notes: 1) Check for safety reasons  
5) Headspace on Belt  
\* Basic dimensions