

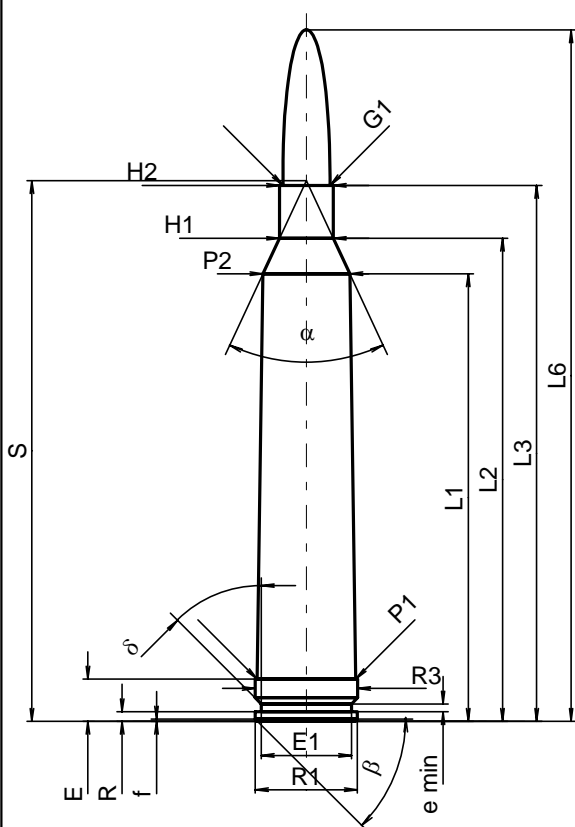
C.I.P.**244 H&H Mag.**

TAB. III

Datum 84-06-14

Revision 02-05-15

Ursprungsland: GB

**PATRONE MAXI****Längen**

L1*	=	59.18
L2*	=	63.87
L3 ¹⁾	=	70.87
L4	=	
L5	=	
L6	=	91.44

Hülsenboden

R	=	1.27
R1	=	13.51
R3	=	13.56
E ¹⁾	=	5.56
E1	=	11.94
e min	=	1.02
delta	=	45°
f	=	0.30
beta	=	45°

Pulverkammer

P1	=	13.03
P2*	=	11.48

Schulterkonus

alpha	=	49°57'37"
S	=	71.50
r1 min	=	
r2	=	

Hülsenhals

H1*	=	7.11
H2 ¹⁾	=	7.11

Geschoss

G1 ¹⁾	=	6.22
G2	=	
F	=	
L3+G ¹⁾	=	79.13

Drücke (Energien)**Mech. elektr. Wandler**

Pmax	=	4350 bar
PK	=	5003 bar
PE	=	5438 bar
M	=	25.00
EE	=	3885 Joule

Verschiedene Daten

Fe ¹⁾	=	0.10
delta L	=	

PATRONE NLAGER MINI**Längen**

L1*	=	59.18
L2*	=	63.88
L3 ¹⁾	=	70.87

Stoßboden

R	=	
R1	=	13.59
R2	=	
R3	=	13.59
r	=	

Pulverkammer

E ¹⁾	=	5.56
P1 ¹⁾	=	13.03
P2*	=	11.50

Schulterkonus

alpha	=	49°39'58"
S	=	71.61
r1 max	=	
r2	=	

Hülsenhals

H1*	=	7.15
H2 ¹⁾	=	7.14

Geschossübergang

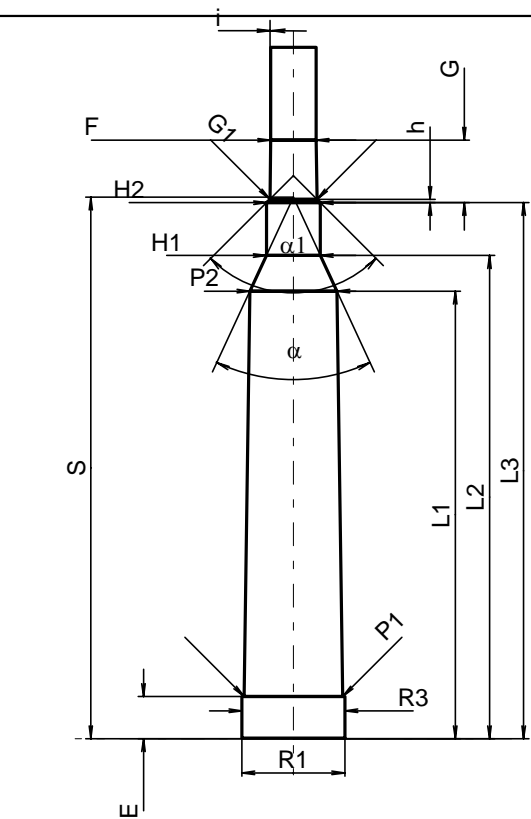
G1 ¹⁾ *	=	6.22
G ¹⁾ *	=	8.26
alpha1	=	90°
h*	=	0.46
s	=	
i ¹⁾	=	0°44'04"
w	=	

Lauf

F ¹⁾ *	=	6.02
Z ¹⁾	=	6.22

Züge

b	=	
N	=	
u	=	255.00
Q	=	28.46 mm ²



Maßstab 1:1

Maße in << mm >>
Maße und Toleranzen für Messläufe
siehe Anhang CR 1.

Bemerkungen: 1) Kontrolle aus Sicherheitsgründen
* Grundmaße