

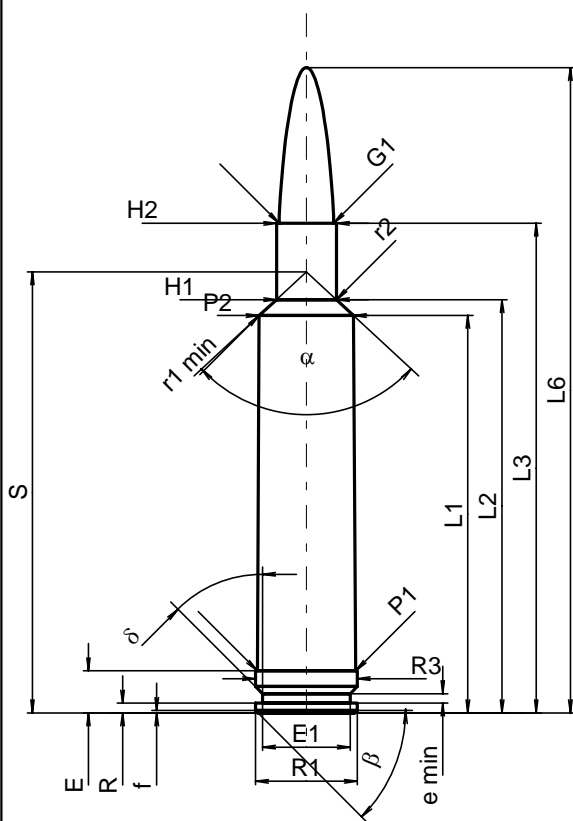
C.I.P.**7 mm Weath. Mag.**

TAB. III

Datum 84-06-14

Revision 02-05-15

Ursprungsland: US

**PATRONE MAXI****Längen**

L1	=	52.55
L2	=	54.66
L3 ¹⁾	=	64.74
L4	=	
L5	=	
L6	=	85.34

Hülsenboden

R	=	1.30
R1	=	13.50
R3	=	13.50
E ¹⁾	=	5.56
E1	=	11.61
e min	=	1.24
delta	=	45°
f	=	0.30
beta	=	45°

Pulverkammer

P1	=	13.00
P2*	=	12.49

Schulterkonus

alpha*	=	94°17'36"
S*	=	58.34
r1 min	=	3.30
r2	=	3.84

Hülsenhals

H1*	=	7.92
H2 ¹⁾	=	7.92

Geschoss

G1 ¹⁾	=	7.22
G2	=	
F	=	
L3+G ¹⁾	=	79.78

Drücke (Energien)**Mech. elektr. Wandler**

Pmax	=	4400 bar
PK	=	5060 bar
PE	=	5500 bar
M	=	25.00
EE	=	5040 Joule

Verschiedene Daten

Fe ¹⁾	=	0.10
delta L	=	

PATRONELAGER MINI**Längen**

L1	=	52.64
L2	=	54.69
L3 ¹⁾	=	65.13

Stoßboden

R	=	
R1	=	13.56
R2	=	
R3	=	13.56
r	=	

Pulverkammer

E ¹⁾	=	5.59
P1 ¹⁾	=	13.06
P2*	=	12.58

Schulterkonus

alpha*	=	95°45'08"
S*	=	58.33
r1 max	=	3.05
r2	=	3.84

Hülsenhals

H1*	=	8.06
H2 ¹⁾	=	8.00

Geschossübergang

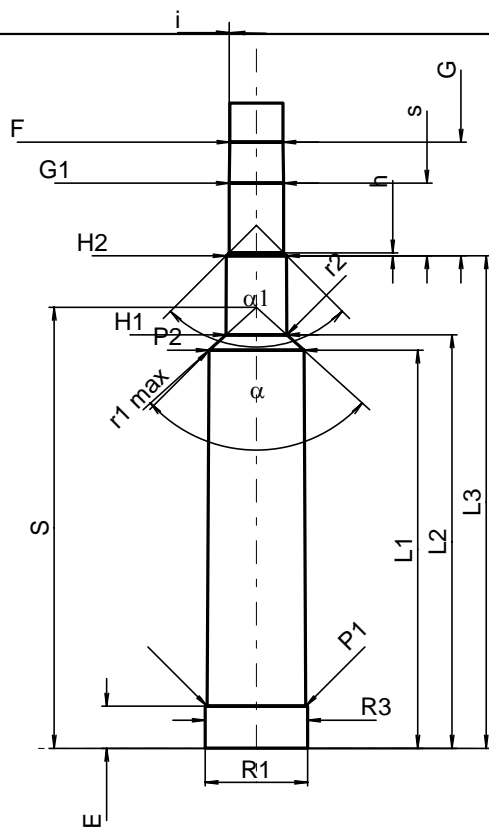
G1 ¹⁾ *	=	7.22
G ¹⁾	=	15.04
alpha*	=	90°
h	=	0.39
s	=	9.60
i ¹⁾ *	=	1°2'
w	=	

Lauf

F ¹⁾ *	=	7.02
Z ¹⁾	=	7.21

Züge

b	=	2.87
N	=	6
u	=	254.00
Q	=	40.39 mm ²



Maßstab 1:1

Maße in << mm >>
Maße und Toleranzen für Messläufe
siehe Anhang CR 1.

Bemerkungen: 1) Kontrolle aus Sicherheitsgründen
* Grundmaße