

C.I.P.

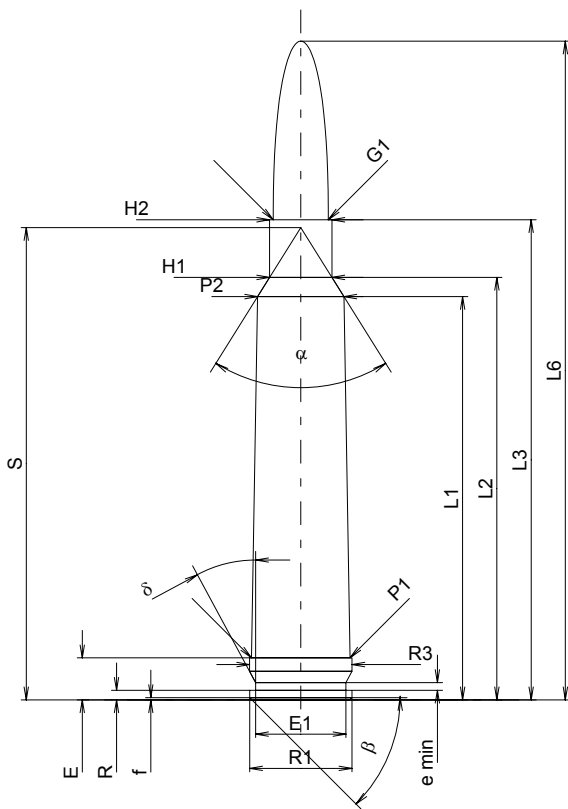
275 Belt. N. E.

Country of Origin: US

TAB. III

Date 84-06-14

Revision 02-05-15



CARTRIDGE MAXI

Lengths

| | | |
|------------------|---|-------|
| L1* | = | 53.34 |
| L2* | = | 55.88 |
| L3 ¹⁾ | = | 63.50 |
| L4 | = | |
| L5 | = | |
| L6 | = | 87.12 |

Case Head

| | | |
|-----------------|---|--------|
| R | = | 1.27 |
| R1 | = | 13.51 |
| R3 | = | 13.56 |
| E ¹⁾ | = | 5.56 |
| E1 | = | 11.94 |
| e min | = | 1.02 |
| delta | = | 28°21' |
| f | = | 0.30 |
| beta | = | 45° |

Powder Chamber

| | | |
|-----|---|-------|
| P1 | = | 13.03 |
| P2* | = | 11.43 |

Junction Cone

| | | |
|--------|---|-----------|
| alpha | = | 64°05'30" |
| S | = | 62.47 |
| r1 min | = | |
| r2 | = | |

Collar

| | | |
|------------------|---|------|
| H1* | = | 8.25 |
| H2 ¹⁾ | = | 8.25 |

Projectile

| | | |
|--------------------|---|-------|
| G1 ¹⁾ | = | 7.29 |
| G2 | = | |
| F | = | |
| L3+G ¹⁾ | = | 69.79 |

Pressures (Energies)

Method Transducer

| | | |
|------|---|------------|
| Pmax | = | 4150 bar |
| PK | = | 4773 bar |
| PE | = | 5188 bar |
| M | = | 25.00 |
| EE | = | 3990 Joule |

Miscellaneous Dimensions

| | | |
|------------------|---|------|
| Fe ¹⁾ | = | 0.10 |
| delta L | = | |

CHAMBER MINI

Lengths

| | | |
|------------------|---|-------|
| L1* | = | 53.52 |
| L2* | = | 56.03 |
| L3 ¹⁾ | = | 64.00 |

Breech

| | | |
|----|---|-------|
| R | = | |
| R1 | = | 13.59 |
| R2 | = | |
| R3 | = | 13.59 |
| r | = | |

Powder Chamber

| | | |
|------------------|---|-------|
| E ¹⁾ | = | 5.59 |
| P1 ¹⁾ | = | 13.06 |
| P2* | = | 11.46 |

Junction Cone

| | | |
|--------|---|-----------|
| alpha | = | 64°12'57" |
| S | = | 62.65 |
| r1 max | = | |
| r2 | = | |

Collar

| | | |
|------------------|---|------|
| H1* | = | 8.31 |
| H2 ¹⁾ | = | 8.31 |

Commencement of Rifling

| | | |
|--------------------|---|----------|
| G1 ¹⁾ * | = | 7.32 |
| G ¹⁾ * | = | 6.29 |
| alpha1 | = | 88°18' |
| h* | = | 0.51 |
| s | = | |
| i ¹⁾ | = | 1°23'15" |
| w | = | |

Barrel

| | | |
|-------------------|---|------|
| F ¹⁾ * | = | 7.04 |
| Z ¹⁾ | = | 7.28 |

Grooves

| | | |
|---|---|-----------------------|
| b | = | |
| N | = | |
| u | = | 255.00 |
| Q | = | 38.93 mm ² |

Scale 1:1

Dimensions in << mm >>
Dimensions and Tolerances for Proof Barrels
see Appendix CR 1.

Notes: 1) Check for safety reasons
* Basic dimensions