

C.I.P.**30-378 Weath. Mag.**

TAB.

III

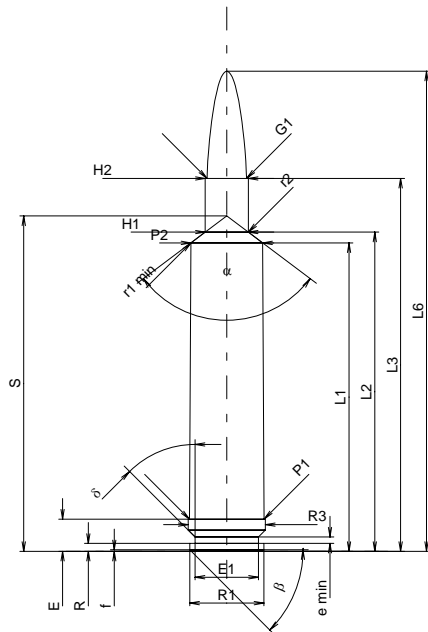
Date

96-03-05

Revision

02-05-15

Country of Origin: US

**CARTRIDGE MAXI****Lengths**

L1	=	61.20
L2	=	63.33
L3 ¹⁾	=	73.99
L4	=	
L5	=	
L6	=	95.25

Case Head

R	=	1.60
R1	=	14.71
R3	=	15.33
E ¹⁾	=	6.40
E1	=	12.57
e min	=	1.24
delta	=	45°
f	=	0.30
beta	=	45°

Powder Chamber

P1	=	14.78
P2 *	=	14.23

Junction Cone

alpha *	=	105°57'54"
S *	=	66.56
r1 min	=	3.30
r2	=	3.84

Collar

H1 *	=	8.56
H2 ¹⁾	=	8.56

Projectile

G1 ¹⁾	=	7.83
G2	=	
F	=	
L3+G ¹⁾	=	88.42

Pressures (Energies)**Method Transducer**

Pmax	=	4400 bar
PK	=	5060 bar
PE	=	5500 bar
M	=	25.00
EE	=	6720 Joule

Miscellaneous Dimensions

Fe ¹⁾	=	0.10
delta L	=	

CHAMBER MINI**Lengths**

L1	=	61.35
L2	=	63.41
L3 ¹⁾	=	74.65

Breech

R	=	
R1	=	15.39
R2	=	
R3	=	15.39
r	=	

Powder Chamber

E ¹⁾	=	6.40
P1 ¹⁾	=	14.82
P2 *	=	14.32

Junction Cone

alpha *	=	107°59'13"
S *	=	66.55
r1 max	=	3.05
r2	=	3.85

Collar

H1 *	=	8.65
H2 ¹⁾	=	8.61

Commencement of Rifling

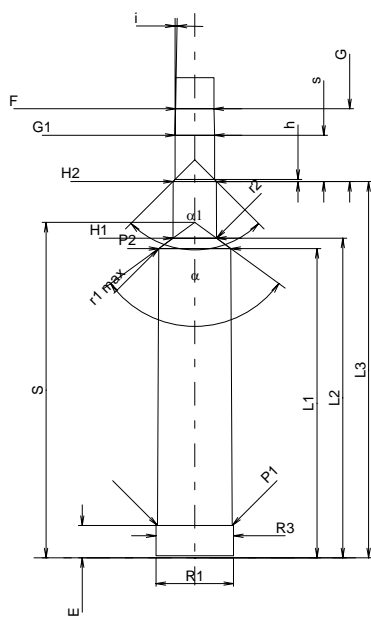
G1 ¹⁾ *	=	7.83
G ¹⁾	=	14.43
alpha 1 *	=	90°
h	=	0.39
s	=	9.17
i ¹⁾ *	=	1°05'20"
w	=	

Barrel

F ¹⁾ *	=	7.63
Z ¹⁾	=	7.82

Grooves

b	=	3.00
N	=	6
u	=	254.00
Q	=	47.48 mm ²



Scale 1:1.5

Dimensions in << mm >>
Dimensions and Tolerances for Proof Barrels
see Appendix CR 1.

Notes: 1) Check for safety reasons
* Basic dimensions