

C.I.P.

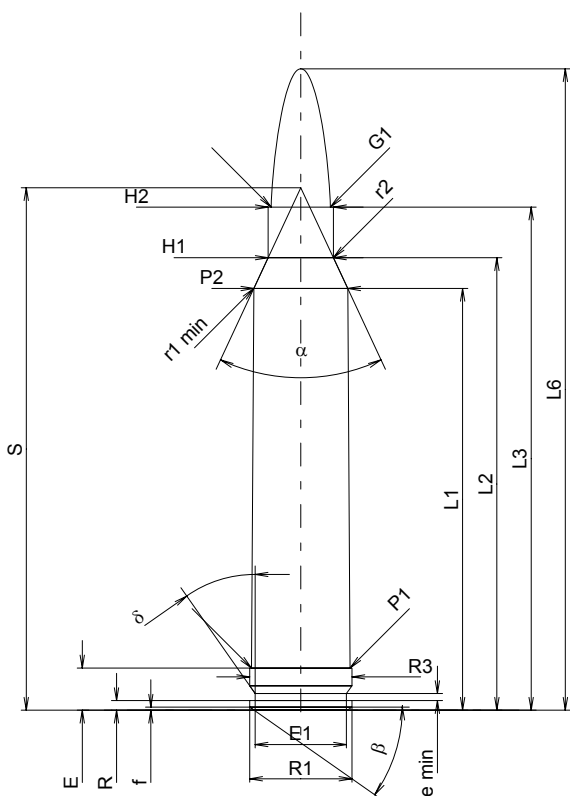
300 Win. Mag.

Country of Origin: US

TAB. III

Date 84-06-14

Revision 02-05-15



CARTRIDGE MAXI

Lengths

L1	=	55.78
L2	=	59.85
L3 ¹⁾	=	66.55
L4	=	
L5	=	
L6	=	84.84

Case Head

R	=	1.27
R1	=	13.51
R3	=	13.51
E ¹⁾	=	5.59
E1	=	12.07
e min	=	0.94
delta	=	35°
f	=	0.41
beta	=	35°

Powder Chamber

P1	=	13.03
P2*	=	12.42

Junction Cone

alpha*	=	50°
S*	=	69.10
r1 min	=	1.02
r2	=	2.54

Collar

H1*	=	8.63
H2 ¹⁾	=	8.63

Projectile

G1 ¹⁾	=	7.85
G2	=	
F	=	
L3+G ¹⁾	=	74.41

Pressures (Energies)

Method Transducer

Pmax	=	4300 bar
PK	=	4945 bar
PE	=	5375 bar
M	=	25.00
EE	=	4935 Joule

Miscellaneous Dimensions

Fe ¹⁾	=	0.10
delta L	=	

CHAMBER MINI

Lengths

L1	=	55.98
L2	=	60.01
L3 ¹⁾	=	67.16

Breech

R	=	1.27
R1	=	13.59
R2	=	
R3	=	13.59
r	=	

Powder Chamber

E ¹⁾	=	5.59
P1 ¹⁾	=	13.06
P2*	=	12.45

Junction Cone

alpha*	=	50°
S*	=	69.33
r1 max	=	0.76
r2	=	3.18

Collar

H1*	=	8.69
H2 ¹⁾	=	8.65

Commencement of Rifling

G1 ^{1)*}	=	8.00
G ¹⁾	=	7.86
alpha1*	=	90°
h	=	0.33
s	=	
i ^{1)*}	=	1°26'37"
w	=	

Barrel

F ^{1)*}	=	7.62
Z ¹⁾	=	7.82

Grooves

b	=	2.79
N	=	6
u	=	254.00
Q	=	47.32 mm ²

Scale 1:1

Dimensions in << mm >>
Dimensions and Tolerances for Proof Barrels
see Appendix CR 1.

Notes: 1) Check for safety reasons
* Basic dimensions