

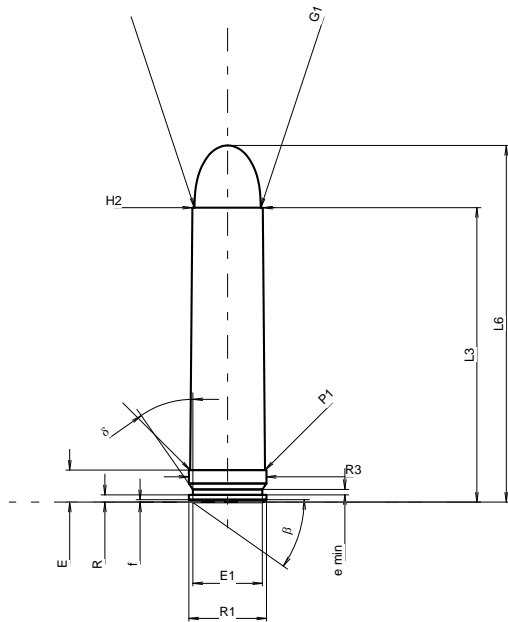
**C.I.P.****11,5 x 51**

TAB. III

Date 09-05-05

Country of Origin: DE

Revision

**CARTRIDGE MAXI****Lengths**

L1	=	
L2	=	
L3 <sup>1)</sup>	=	51.20
L4	=	
L5	=	
L6	=	62.00

**Case Head**

R	=	1.27
R1	=	13.51
R3	=	13.51
E <sup>1)</sup>	=	5.59
E1	=	12.07
e min	=	0.94
δ	=	35°
f	=	0.41
β	=	35°

**Powder Chamber**

P1	=	13.03
P2	=	

**Junction Cone**

α	=	
S	=	
r1 min	=	
r2	=	

**Collar**

H1	=	
H2 <sup>1)</sup>	=	12.25

**Projectile**

G1 <sup>1)</sup>	=	11.49
G2	=	
F	=	
L3+G <sup>1)</sup>	=	62.48

**Pressures (Energies)****Method Transducer**

Pmax	=	4000 bar
PK	=	4600 bar
PE	=	5000 bar
M	=	25.00
EE	=	5800 Joule

**Miscellaneous Dimensions**

Fe <sup>1)5)</sup>	=	0.10
delta L	=	

**CHAMBER MINI****Lengths**

L1	=	
L2	=	
L3	=	51.30

**Breech**

R	=	
R1	=	13.51
R2	=	
R3	=	13.59
r	=	

**Powder Chamber**

E <sup>1)</sup>	=	5.59
P1 <sup>1)</sup>	=	13.06
P2	=	

**Junction Cone**

α	=	
S	=	
r1 max	=	
r2	=	

**Collar**

H1	=	
H2 <sup>1)</sup>	=	12.28

**Commencement of Rifling**

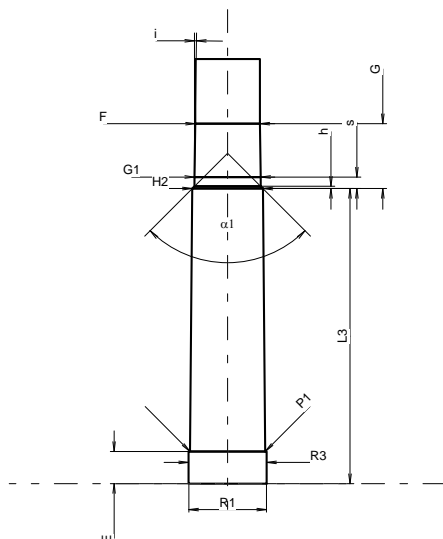
G1 <sup>1)</sup> *	=	11.49
G <sup>1)</sup>	=	11.28
α1	=	90°
h	=	0.40
s *	=	2.00
i <sup>1)</sup> *	=	0°48'09"
w	=	

**Barrel**

F <sup>1)</sup> *	=	11.23
Z <sup>1)</sup>	=	11.43

**Grooves**

b	=	4.06
N	=	6
u	=	508.00
Q	=	101.54 mm <sup>2</sup>



Scale 1:1.31

Dimensions in << mm >>  
 Dimensions and Tolerances for Proof Barrels  
 see Appendix CR 1.

Notes: 1) Check for safety reasons  
 5) Headspace on Belt  
 \* Basic dimensions