

C.I.P.

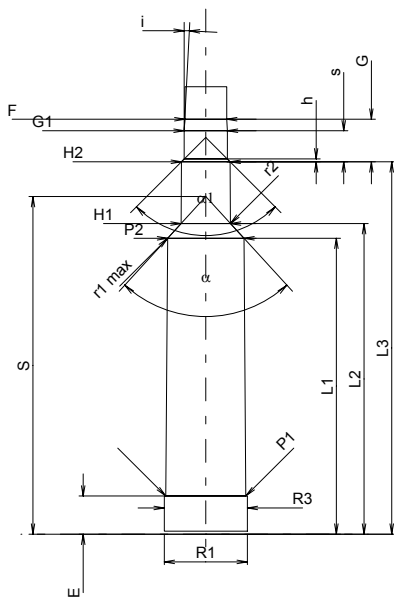
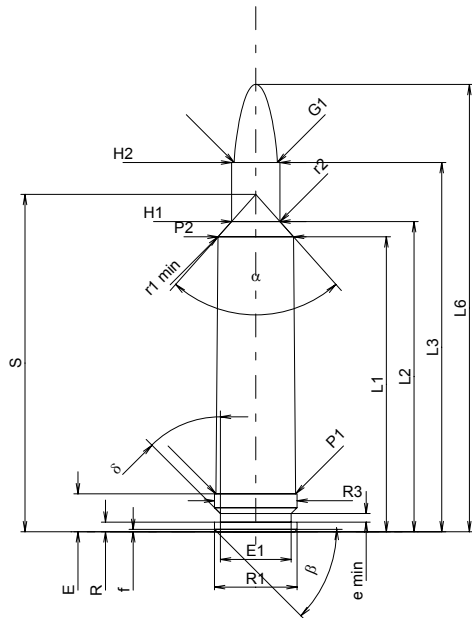
224 Weath. Mag.

Country of Origin: US

TAB. III

Date 84-06-14

Revision 02-05-15



Scale 1:1

Dimensions in << mm >>
Dimensions and Tolerances for Proof Barrels
see Appendix CR 1.

CARTRIDGE MAXI

Lengths

L1	=	39.01
L2	=	41.03
L3 ¹⁾	=	48.84
L4	=	
L5	=	
L6	=	59.18

Case Head

R	=	1.27
R1	=	10.91
R3	=	10.91
E ¹⁾	=	5.03
E1	=	9.37
e min	=	1.14
δ	=	45°
f	=	0.31
β	=	45°

Powder Chamber

P1	=	10.54
P2*	=	10.01

Junction Cone

α*	=	83°26'17"
S*	=	44.62
r1 min	=	3.30
r2	=	3.83

Collar

H1*	=	6.40
H2 ¹⁾	=	6.40

Projectile

G1 ¹⁾	=	5.70
G2	=	
F	=	
L3+G ¹⁾	=	54.48

Pressures (Energies)

Method Transducer

Pmax	=	4400 bar
PK	=	5060 bar
PE	=	5500 bar
M	=	25.00
EE	=	2310 Joule

Miscellaneous Dimensions

Fe ¹⁾	=	0.10
delta L	=	

CHAMBER MINI

Lengths

L1	=	39.14
L2	=	41.09
L3 ¹⁾	=	49.25

Breech

R	=	
R1	=	10.97
R2	=	
R3	=	10.97
r	=	

Powder Chamber

E ¹⁾	=	5.05
P1 ¹⁾	=	10.59
P2*	=	10.09

Junction Cone

α*	=	84°57'03"
S*	=	44.65
r1 max	=	3.05
r2	=	3.83

Collar

H1*	=	6.52
H2 ¹⁾	=	6.45

Commencement of Rifling

G1 ¹⁾ *	=	5.70
G ¹⁾	=	5.64
α1*	=	90°
h	=	0.38
s	=	4.11
i ¹⁾ *	=	3°
w	=	

Barrel

F ¹⁾ *	=	5.54
Z ¹⁾	=	5.69

Grooves

b	=	1.80
N	=	6
u	=	356.00
Q	=	24.93 mm ²

Notes: 1) Check for safety reasons
* Basic dimensions