

# C.I.P.

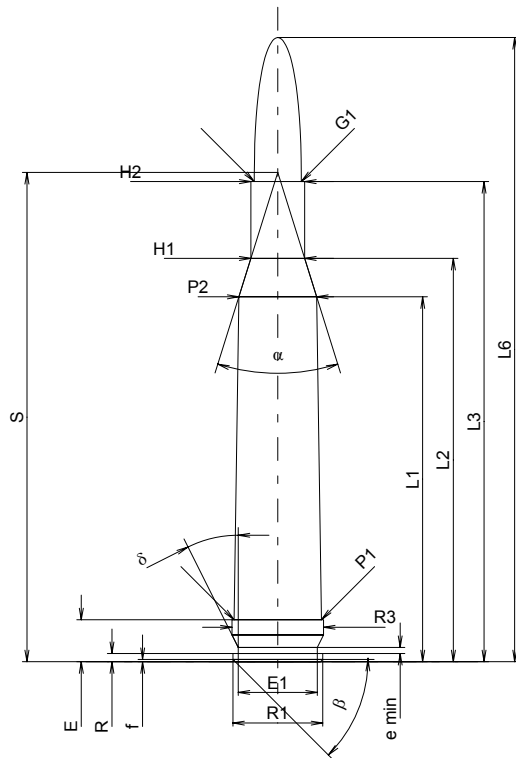
## 240 Belt. Riml. N.E.

Country of Origin: GB

TAB. III

Date 84-06-14

Revision 02-05-15

**CARTRIDGE MAXI****Lengths**

L1*	=	48.26
L2*	=	53.34
L3 <sup>1)</sup>	=	63.50
L4	=	
L5	=	
L6	=	82.55

**Case Head**

R	=	1.09
R1	=	11.89
R3	=	12.12
E <sup>1)</sup>	=	5.56
E1	=	10.46
e min	=	0.81
delta	=	26°34'12"
f	=	0.30
beta	=	45°

**Powder Chamber**

P1	=	11.56
P2*	=	10.29

**Junction Cone**

alpha	=	34°45'33"
S	=	64.70
r1 min	=	
r2	=	

**Collar**

H1*	=	7.11
H2 <sup>1)</sup>	=	7.11

**Projectile**

G1 <sup>1)</sup>	=	6.22
G2	=	
F	=	
L3+G <sup>1)</sup>	=	68.71

**Pressures (Energies)****Method Transducer**

Pmax	=	3300 bar
PK	=	3795 bar
PE	=	4125 bar
M	=	25.00
EE	=	2625 Joule

**Miscellaneous Dimensions**

Fe <sup>1)</sup>	=	0.15
delta L	=	

**CHAMBER MINI****Lengths**

L1*	=	48.41
L2*	=	53.46
L3 <sup>1)</sup>	=	64.00

**Breech**

R	=	
R1	=	12.17
R2	=	
R3	=	12.17
r	=	

**Powder Chamber**

E <sup>1)</sup>	=	5.56
P1 <sup>1)</sup>	=	11.56
P2*	=	10.32

**Junction Cone**

alpha	=	34°44'49"
S	=	64.90
r1 max	=	
r2	=	

**Collar**

H1*	=	7.16
H2 <sup>1)</sup>	=	7.14

**Commencement of Rifling**

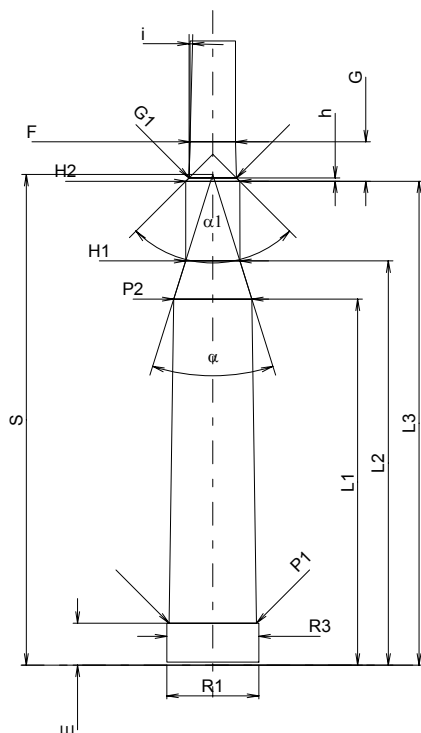
G1 <sup>1)</sup> *	=	6.27
G <sup>1)</sup> *	=	5.21
alpha1	=	90°
h*	=	0.44
s	=	
i <sup>1)</sup>	=	1°30'04"
w	=	

**Barrel**

F <sup>1)</sup> *	=	6.02
Z <sup>1)</sup>	=	6.22

**Grooves**

b	=	3.50
N	=	4
u	=	203.00
Q	=	29.95 mm <sup>2</sup>



Scale 1:1

Dimensions in << mm >>  
Dimensions and Tolerances for Proof Barrels  
see Appendix CR 1.

Notes: 1) Check for safety reasons  
\* Basic dimensions