

C.I.P.**416 Weath. Mag.**

TAB.

III

Date

91-02-19

Pays d'origine: US

Révision

04-05-18

CARTOUCHE MAXI**CHAMBRE MINI****Longueurs**

L1	=	60.66
L2	=	62.64
L3 ¹⁾	=	73.99
L4	=	
L5	=	
L6	=	95.25

Longueurs

L1	=	60.79
L2	=	62.77
L3 ¹⁾	=	74.65

Culot

R	=	1.60
R1	=	14.71
R3	=	15.33
E ¹⁾	=	6.40
E1	=	12.57
e min	=	1.24
δ	=	45°
f	=	0.30
β	=	45°

Cuvette

R	=	
R1	=	15.39
R2	=	
R3	=	15.39
r	=	

Chambre à poudre

P1	=	14.78
P2 *	=	14.24

Chambre à poudre

E ¹⁾	=	6.43
P1 ¹⁾	=	14.83
P2 *	=	14.32

Cône de raccordement

α^*	=	73°32'42"
S *	=	70.19
r1 min	=	3.30
r2	=	4.17

Cône de raccordement

α^*	=	72°34'30"
S *	=	70.54
r1 max	=	3.05
r2	=	4.42

Collet

H1 *	=	11.28
H2 ¹⁾	=	11.28

Collet

H1 *	=	11.41
H2 ¹⁾	=	11.38

Projectile

G1 ¹⁾	=	10.57
G2	=	
F	=	
L3+G ¹⁾	=	84.26

Prise de rayures

G1 ¹⁾ *	=	10.58
G ¹⁾	=	10.27
$\alpha 1^*$	=	93°
h	=	0.38
s	=	6.07
i ¹⁾ *	=	1°30'
w	=	

Pressions (Énergies)**Méthode transducteur**

Pmax	=	4400 bar
PK	=	5060 bar
PE	=	5500 bar
M	=	25.00
EE	=	9030 Joule

Canon

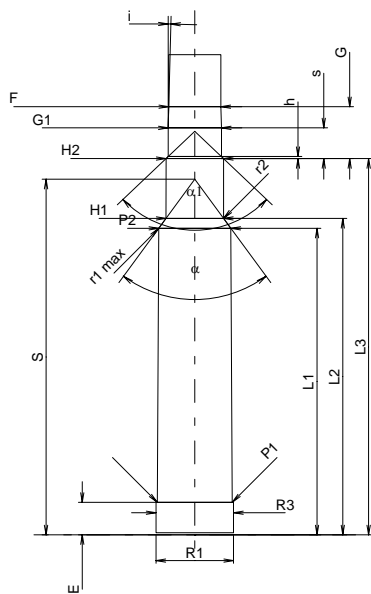
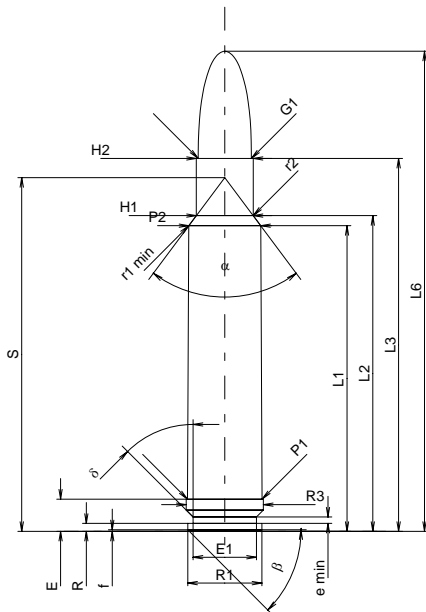
F ¹⁾ *	=	10.36
Z ¹⁾	=	10.57

Rayures

b	=	3.23
N	=	6
u	=	356.00
Q	=	86.37 mm ²

Autres indications

Fe ¹⁾	=	0.10
delta L	=	



Échelle 1:1.5

Dimensions en << mm >>
Dimensions et tolérances pour les canons
d'épreuve: Voyez Annexe CR 1.

Notes: 1) A' contrôler pour la sécurité
* Dimensions de base