

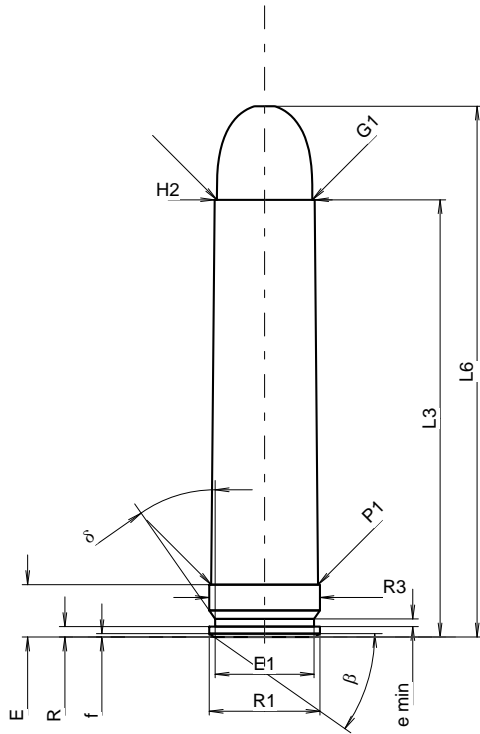
C.I.P.**450 Marlin**

TAB. III

Date 09-05-05

Pays d'origine: US

Révision

**CARTOUCHE MAXI****Longueurs**

L1	=	
L2	=	
L3 ¹⁾	=	53.34
L4	=	
L5	=	
L6	=	64.76

Culot

R	=	1.27
R1	=	13.51
R3	=	13.51
E ¹⁾	=	6.40
E1	=	12.07
e min	=	0.94
delta	=	35°
f	=	0.41
beta	=	35°

Chambre à poudre

P1	=	13.03
P2	=	

Cône de raccordement

alpha	=	
S	=	
r1 min	=	
r2	=	

Collet

H1	=	
H2 ¹⁾	=	12.21

Projectile

G1 ¹⁾	=	11.64
G2	=	
F	=	
L3+G ¹⁾	=	58.69

Pressions (Énergies)**Méthode transducteur**

Pmax	=	3300 bar
PK	=	3795 bar
PE	=	4125 bar
M	=	25.00
EE	=	4850 Joule

Autres indications

Fe ¹⁾⁵⁾	=	0.15
delta L	=	

CHAMBRE MINI**Longueurs**

L1	=	
L2	=	
L3 ¹⁾	=	53.79

Cuvette

R	=	
R1	=	13.59
R2	=	
R3	=	13.59
r	=	

Chambre à poudre

E ¹⁾	=	6.40
P1 ¹⁾	=	13.07
P2	=	

Cône de raccordement

alpha	=	
S	=	
r1 max	=	
r2	=	

Collet

H1	=	
H2 ¹⁾	=	12.26

Prise de rayures

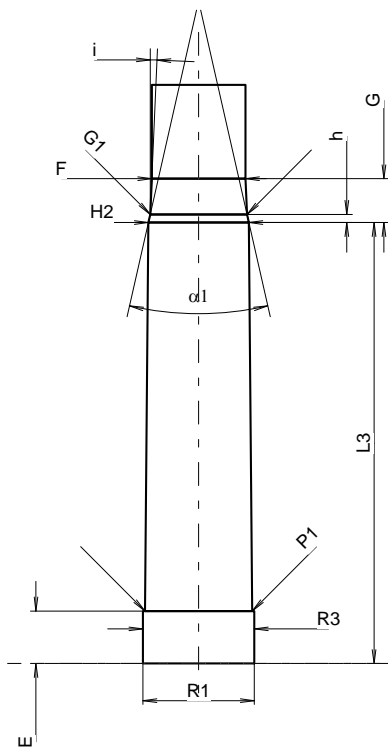
G1 ¹⁾ *	=	11.81
G ¹⁾	=	5.35
alpha1	=	25°30'
h*	=	1.00
s	=	
i ¹⁾ *	=	2°30'
w	=	

Canon

F ¹⁾ *	=	11.43
Z ¹⁾	=	11.58

Rayures

b	=	3.58
N	=	6
u	=	508.00
Q	=	104.25 mm ²



Échelle 1.08:1

Dimensions en << mm >>
Dimensions et tolérances pour les canons
d'épreuve: Voyez Annexe CR 1.

Notes: 1) A' contrôler pour la sécurité
5) Feuillure sur la culot magnum
* Dimensions de base