

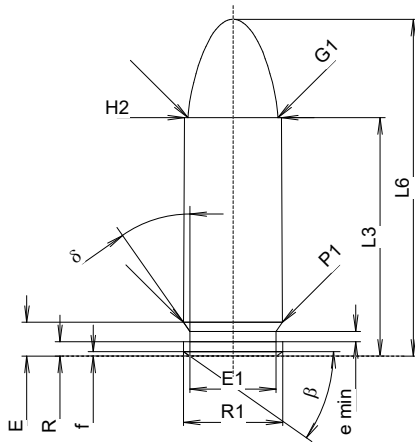
C.I.P.**30 Super Carry**

TAB. IV

Datum 25-05-13

Ursprungsland: US

Revision

**PATRONE MAXI****Längen**

L1	=	
L2	=	
L3	=	21.01
L4	=	
L5	=	
L6	=	29.69

Hülsenboden

R	=	1.27
R1	=	8.74
R3	=	
E	=	2.98
E1	=	7.57
e min	=	0.89
delta	=	35°
f	=	0.38
beta	=	35°

Pulverkammer

P1	=	8.72
P2	=	

Schulterkonus

alpha	=	
S	=	
r1 min	=	
r2	=	

Hülsenhals

H1	=	
H2	=	8.56

Geschoss

G1	=	7.95
G2	=	
F	=	
L3+G	=	22.80

Drücke (Energien)**Mech. elektr. Wandler**

Pmax	=	3590 bar
PK	=	4129 bar
PE	=	4667 bar
M	=	12.50

Verschiedene Daten

Fe	=	
delta L	=	

PATRONENLAGER MINI**Längen**

L1	=	
L2	=	
L3	=	21.01

Stoßboden

R	=	
R1	=	8.77
R2	=	
R3	=	
r	=	

Pulverkammer

E	=	2.98
P1	=	8.74
P2	=	

Schulterkonus

alpha	=	
S	=	
r1 max	=	
r2	=	

Hülsenhals

H1	=	
H2	=	8.58

Geschossübergang

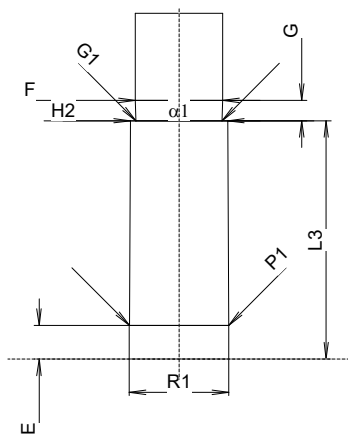
G1	=	7.58
G	=	1.79
alpha1	=	180°
h	=	
s	=	
i	=	
w	=	

Lauf

F	=	7.70
Z	=	7.92

Züge

b	=	2.41
N	=	5
u	=	254.00
Q	=	47.87 mm ²



Maßstab 1.5:1

Maße in << mm >>
Maße und Toleranzen für Messläufe
siehe Anhang CR1.

Bemerkungen: