

**C.I.P.****30 Super Carry**

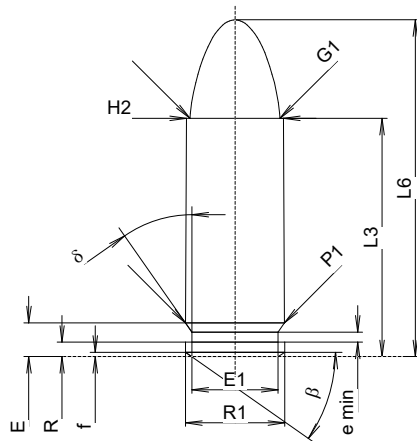
TAB. IV

Date 25-05-13

Pays d'origine: US

Révision

Marquage alternatif: 30 Super Carry

**CARTOUCHE MAXI****Longueurs**

L1	=	
L2	=	
L3	=	21.01
L4	=	
L5	=	
L6	=	29.69

**Colot**

R	=	1.27
R1	=	8.74
R3	=	
E	=	2.98
E1	=	7.57
e min	=	0.89
delta	=	35°
f	=	0.38
beta	=	35°

**Chambre à poudre**

P1	=	8.72
P2	=	

**Cône de raccordement**

alpha	=	
S	=	
r1 min	=	
r2	=	

**Collet**

H1	=	
H2	=	8.56

**Projectile**

G1	=	7.95
G2	=	
F	=	
L3+G	=	22.80

**Pressions (Énergies)****Méthode transducteur**

Pmax	=	3590 bar
PK	=	4129 bar
PE	=	4667 bar
M	=	12.50

**Autres indications**

Fe	=	
delta L	=	

**CHAMBRE MINI****Longueurs**

L1	=	
L2	=	
L3	=	21.01

**Cuvette**

R	=	
R1	=	8.77
R2	=	
R3	=	
r	=	

**Chambre à poudre**

E	=	2.98
P1	=	8.74
P2	=	

**Cône de raccordement**

alpha	=	
S	=	
r1 max	=	
r2	=	

**Collet**

H1	=	
H2	=	8.58

**Prise de rayures**

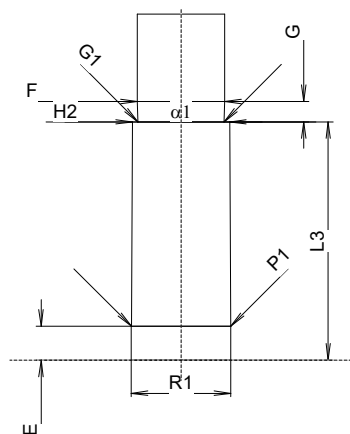
G1	=	7.58
G	=	1.79
alpha1	=	180°
h	=	
s	=	
i	=	
w	=	

**Canon**

F	=	7.70
Z	=	7.92

**Rayures**

b	=	2.41
N	=	5
u	=	254.00
Q	=	47.87 mm <sup>2</sup>



Échelle 1.5:1

Dimensions en << mm >>  
Dimensions et tolérances pour les canons  
d'épreuve: Voyez Annexe CR1.

Notes: