

C.I.P.**32 S.&W. Long**

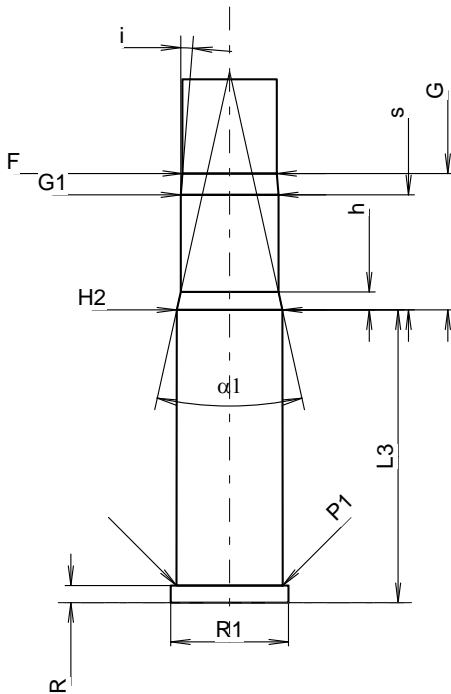
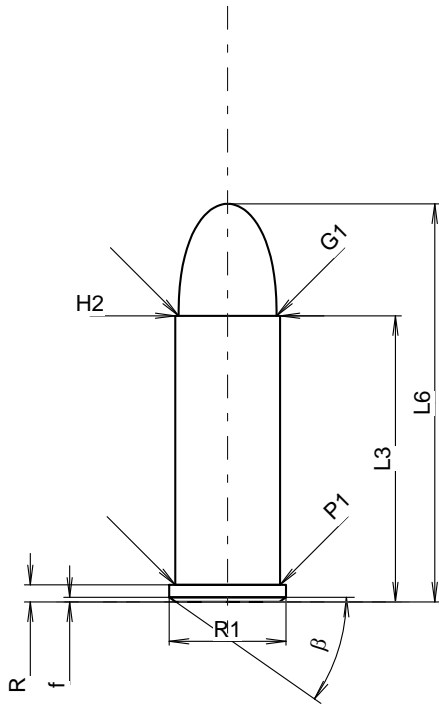
Country of Origin: US

TAB. IV

Date 84-06-14

Revision 09-05-05

Alternative Names: 32 Colt New Police



Scale 1.62:1

Dimensions in << mm >>
 Dimensions and Tolerances for Proof Barrels
 see Appendix CR 1.

CARTRIDGE MAXI**Lengths**

L1	=	
L2	=	
L3 ¹⁾	=	23.37
L4	=	
L5	=	
L6	=	32.51

Case Head

R ¹⁾	=	1.40	-0.25
R1	=	9.53	
R3	=		
E	=		
E1	=		
e min	=		
delta	=		
f	=	0.38	
beta	=	35°	

Powder Chamber

P1	=	8.56
P2	=	

Junction Cone

alpha	=	
S	=	
r1 min	=	
r2	=	

Collar

H1	=	
H2 ¹⁾	=	8.56

Projectile

G1 ¹⁾	=	8.00
G2	=	
F	=	
L3+G ¹⁾	=	34.51

Pressures (Energies)**Method Transducer**

Pmax	=	1000 bar
PK	=	1150 bar
PE	=	1300 bar
M	=	12.50

Miscellaneous Dimensions

Fe ¹⁾⁴⁾	=	0.25
delta L	=	

CHAMBER MINI**Lengths**

L1	=	
L2	=	
L3 ¹⁾	=	23.90

Breech

R ¹⁾	=	1.40
R1	=	9.63
R2	=	
R3	=	
r	=	

Powder Chamber

E	=	
P1 ¹⁾	=	8.67
P2	=	

Junction Cone

alpha	=	
S	=	
r1 max	=	
r2	=	

Collar

H1	=	
H2 ¹⁾	=	8.63

Commencement of Rifling

G1 ¹⁾ *	=	7.98
G ¹⁾	=	11.14
alpha 1 *	=	25°
h	=	1.47
s	=	9.40
i ¹⁾ *	=	4°35'
w	=	

Barrel

F ¹⁾ *	=	7.70
Z ¹⁾	=	7.92

Grooves

b	=	2.41
N	=	5
u	=	476.00
Q	=	47.91 mm ²

Notes: 1) Check for safety reasons
 4) Headspace on Rim
 * Basic dimensions