

C.I.P.**38 S&W**

TAB.

IV

Date

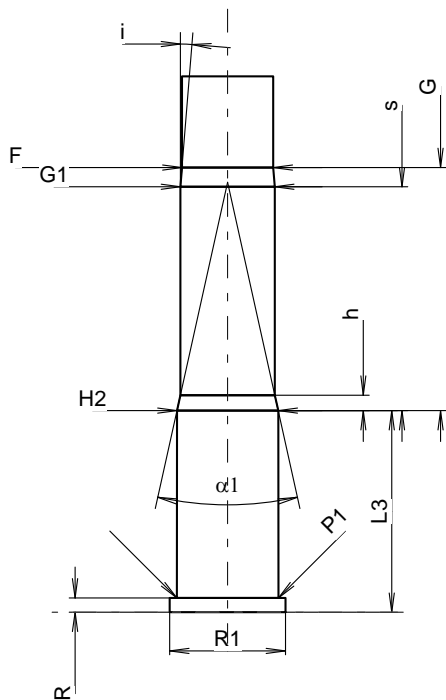
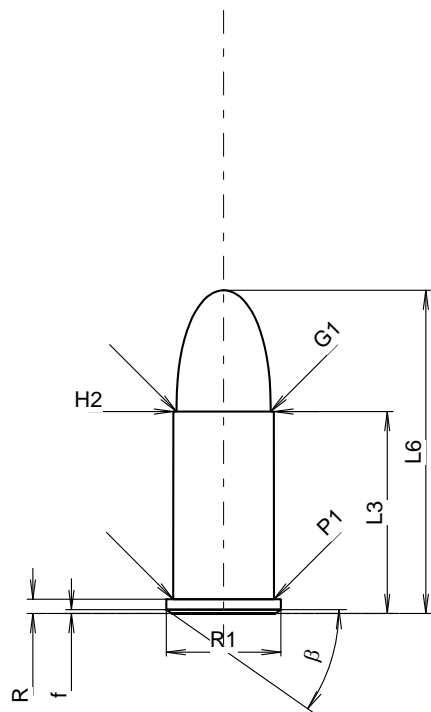
84-06-14

Révision

20-04-21

Pays d'origine: US

Marquage alternatif: 38 Colt New Police; 38 Colt N. P.



Échelle 1.36:1

CARTOUCHE MAXI**Longueurs**

L1	=	
L2	=	
L3 ¹⁾	=	19.69
L4	=	
L5	=	
L6	=	31.50

Culot

R ¹⁾	=	1.40	-0.25
R1	=	11.18	
R3	=		
E	=		
E1	=		
e min	=		
delta	=		
f	=	0.38	
beta	=	35°	

Chambre à poudre

P1	=	9.82
P2	=	

Cône de raccordement

alpha	=	
S	=	
r1 min	=	
r2	=	

Collet

H1	=	
H2 ¹⁾	=	9.79

Projectile

G1 ¹⁾	=	9.17
G2	=	
F	=	
L3+G ¹⁾	=	43.37

Pressions (Énergies)**Méthode transducteur**

Pmax	=	1200 bar
PK	=	1380 bar
PE	=	1560 bar
M	=	9.00

Autres indications

Fe ¹⁾⁶⁾	=	0.25
delta L	=	

CHAMBRE MINI**Longueurs**

L1	=	
L2	=	
L3 ¹⁾	=	19.65

Cuvette

R ¹⁾	=	1.40
R1	=	11.28
R2	=	
R3	=	
r	=	

Chambre à poudre

E	=	
P1 ¹⁾	=	9.91
P2	=	

Cône de raccordement

alpha	=	
S	=	
r1 max	=	
r2	=	

Collet

H1	=	
H2 ¹⁾	=	9.86

Prise de rayures

G1 ¹⁾ *	=	9.19
G ¹⁾	=	23.68
alpha1 *	=	25°
h	=	1.49
s	=	21.81
i ¹⁾ *	=	4°35'
w	=	

Canon

F ¹⁾ *	=	8.89
Z ¹⁾	=	9.13

Rayures

b	=	2.90
N	=	5
u	=	476.00
Q	=	63.84 mm ²

Dimensions en << mm >>
Dimensions et tolérances pour les canons
d'épreuve: Voyez Annexe CR 1.

Notes: 1) A' contrôler pour la sécurité
6) Feuillure sur la bouche
* Dimensions de base