

**C.I.P.****44 Rem. Mag.**

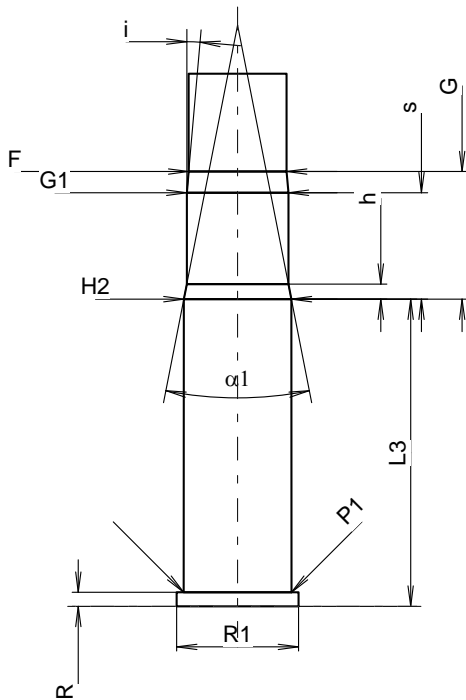
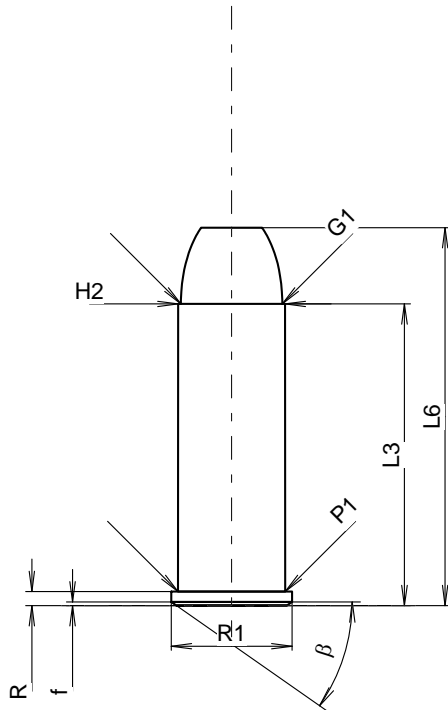
TAB. IV

Date 86-12-14

Country of Origin: US

Revision 20-11-10

Alternative Names: 44 Magnum - 44 Mag.



Scale 1.22:1

Dimensions in << mm >>  
 Dimensions and Tolerances for Proof Barrels  
 see Appendix CR 1.

**CARTRIDGE MAXI****Lengths**

L1	=	
L2	=	
L3 <sup>1)</sup>	=	32.64
L4	=	
L5	=	
L6	=	40.89

**Case Head**

R <sup>1)</sup>	=	1.52	-0.25
R1	=	13.06	
R3	=		
E	=		
E1	=		
e min	=		
delta	=		
f	=	0.40	
beta	=	35°	

**Powder Chamber**

P1	=	11.61
P2	=	

**Junction Cone**

alpha	=	
S	=	
r1 min	=	
r2	=	

**Collar**

H1	=	
H2 <sup>1)</sup>	=	11.58

**Projectile**

G1 <sup>1)</sup>	=	10.97
G2	=	
F	=	
L3+G <sup>1)</sup>	=	46.44

**Pressures (Energies)****Method Transducer**

Pmax	=	2800 bar
PK	=	3220 bar
PE	=	3640 bar
M	=	17.50

**Miscellaneous Dimensions**

Fe <sup>1)</sup>	=	0.25
delta L	=	

**CHAMBER MINI****Lengths**

L1	=	
L2	=	
L3 <sup>1)</sup>	=	33.23

**Breech**

R <sup>1)</sup>	=	1.52
R1	=	13.18
R2	=	
R3	=	
r	=	

**Powder Chamber**

E	=	
P1 <sup>1)</sup>	=	11.66
P2	=	

**Junction Cone**

alpha	=	
S	=	
r1 max	=	
r2	=	

**Collar**

H1	=	
H2 <sup>1)</sup>	=	11.63

**Commencement of Rifling**

G1 <sup>1)</sup> *	=	10.99
G <sup>1)</sup>	=	13.80
alpha1 *	=	22°12'
h	=	1.63
s	=	11.51
i <sup>1)</sup> *	=	5°
w	=	

**Barrel**

F <sup>1)</sup> *	=	10.59
Z <sup>1)</sup>	=	10.90

**Grooves**

b	=	2.73
N	=	6
u	=	508.00
Q	=	90.65 mm <sup>2</sup>

Notes: 1) Check for safety reasons  
 \* Basic dimensions